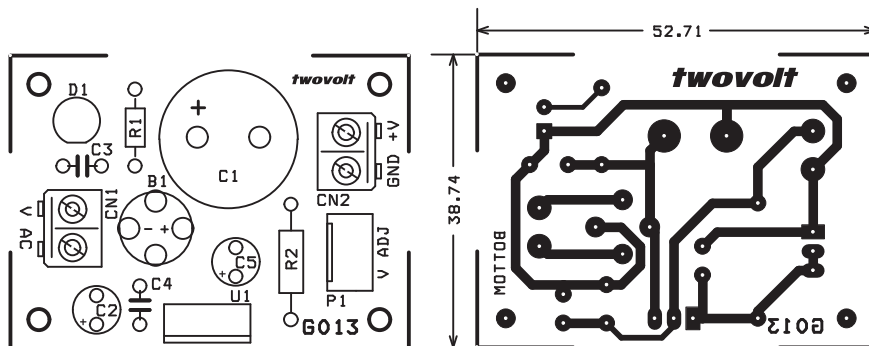
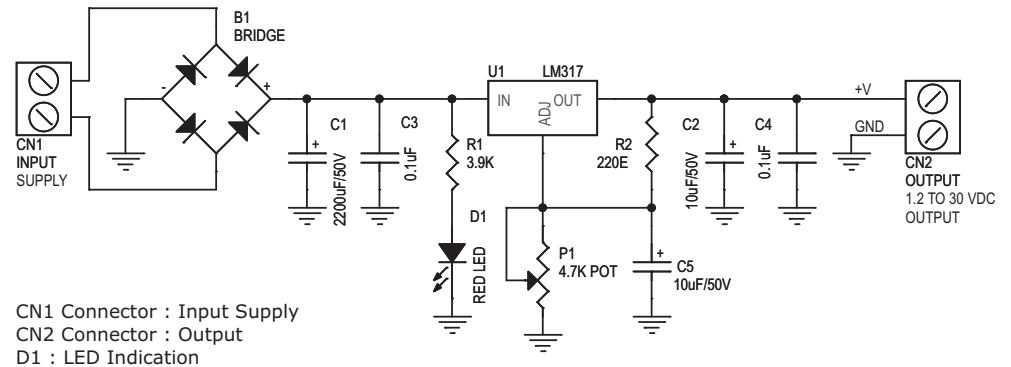


TINY 1.2 TO 37V REGULATED POWER SUPPLY

This circuit provides a variable output power supply ranging from 1.2 to 37 V @ 1.5 A. Uses industry famous LM317 in TO220 package for delivering variable output voltage.

- Input : 28 VAC or 40 VDC
- Output : variable output from 1.2 to 37 V @ 1.5 A regulated low ripple DC voltage
- Heatsink for regulator IC
- Onboard bridge rectifier to convert AC to DC
- LED indication at input of IC
- Thermal overload/short circuit protection (provided by IC feature)
- Screw terminal connector for easy input and output connection
- Berg connector for connecting potentiometer (POT) to the board
- Filter capacitors for low ripple DC output
- Four mounting holes of 3.2 mm each
- PCB dimensions 39 mm x 53 mm



SR.	QTY.	REF.	DESCRIPTION
1	1	B1	W04/W06/W08 BRIDGE RECTIFIER
2	1	CN1	2 PIN SCREW TERMINAL CONNECTOR
3	1	CN2	2 PIN SCREW TERMINAL CONNECTOR
4	1	C1	2200uF/50V
5	2	C2,C5	10uF/50V OR. 63V
6	2	C3,C4	0.1uF
7	1	D1	RED LED
8	1	P1	3 PIN RELIMATE/BERG CONNECTOR
9	1	R1	3.9K
10	1	R2	220E
11	1	U1	LM317
12	1	POT	4.7K/5K POTENTIOMETER
13	1	HEATSINK	HS04019
14	1	SCREW	SC02905

