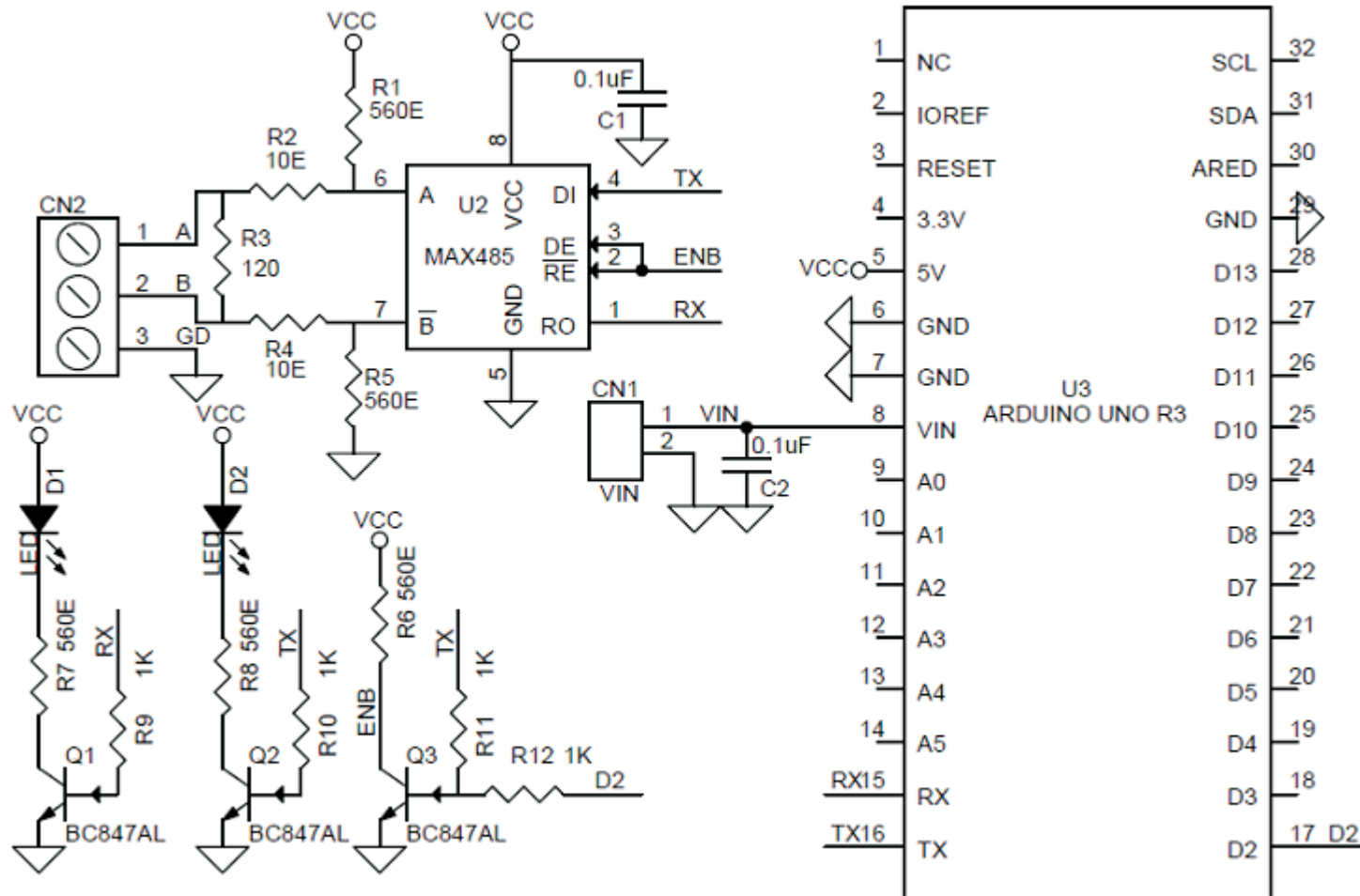
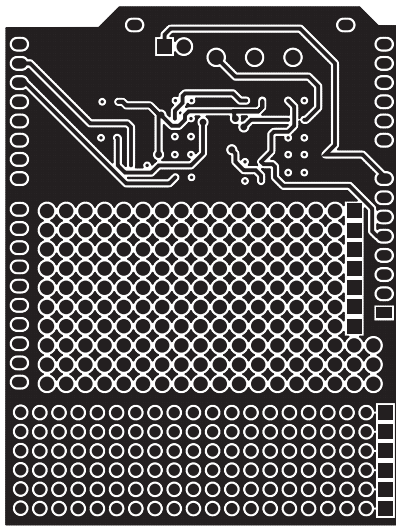
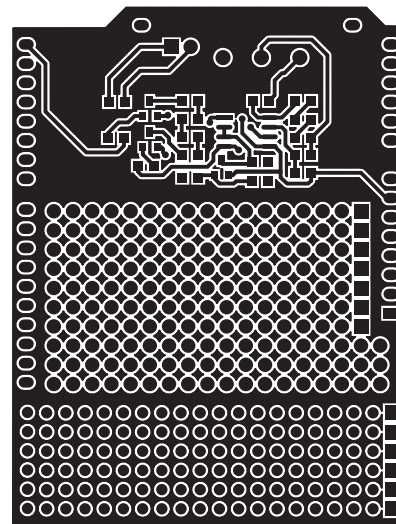


Rs485 Shield Schematic and PCB Layout For Arduino Uno R3 With Proto Area

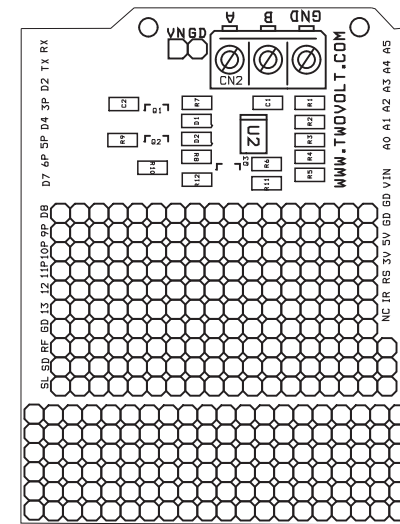




PCB BOTTOM LAYER



PCB TOP LAYER



SILK SCREEN

