

Magnetic Field Sensor

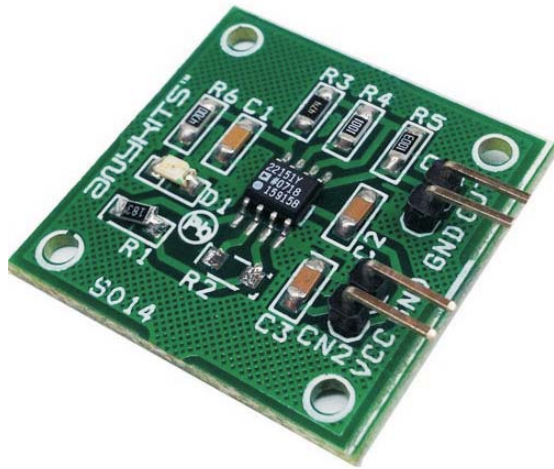
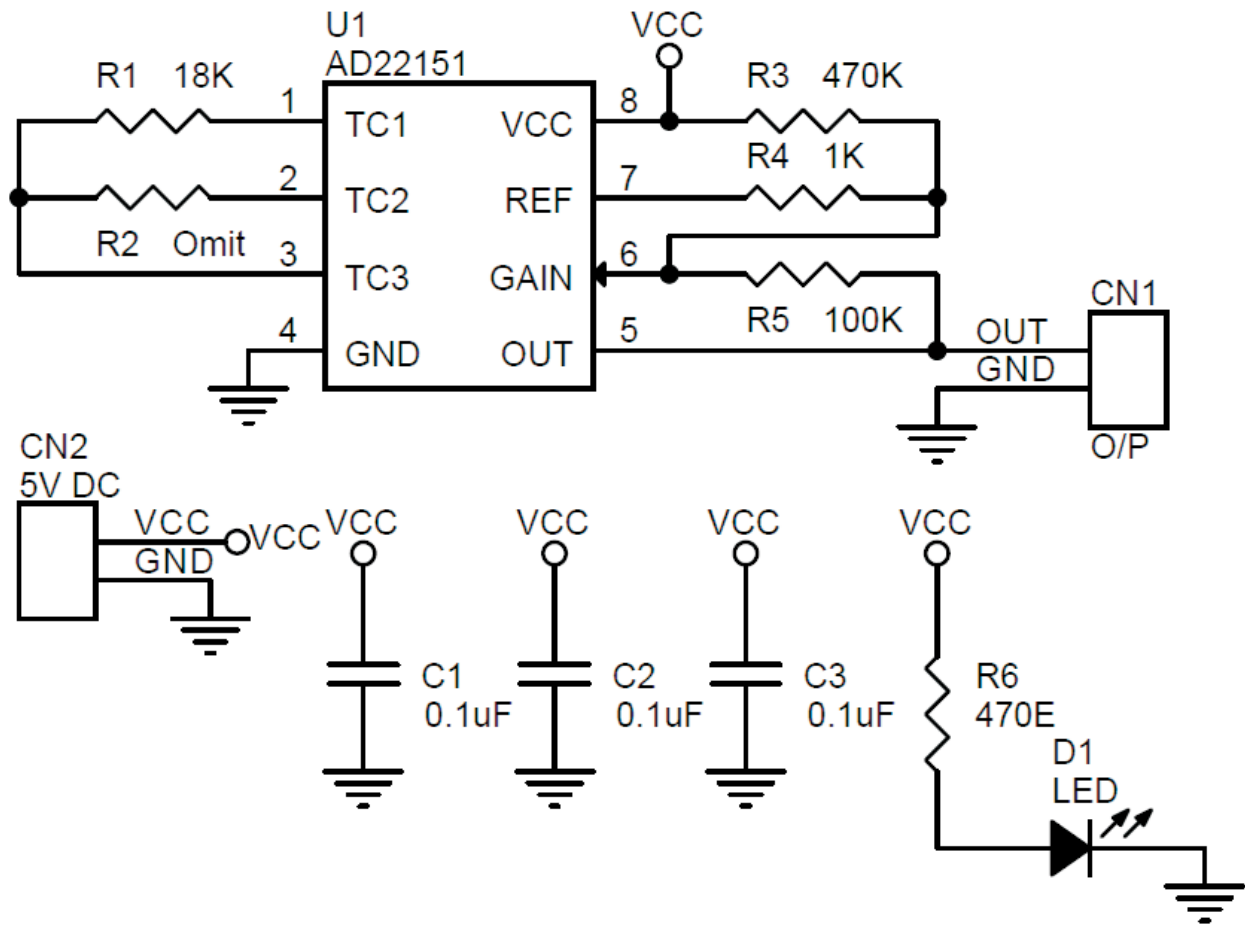
Magnetic field sensor project using AD22151 IC from Analog Devices, The AD22151 is linear magnetic field transducer. The sensor output is a voltage proportional to a magnetic field applied perpendicularly to the package top surface. The sensor combines integrated bulk Hall cell technology and instrument technology to minimize temperature related drifts associated with silicon Hall cell characteristics.

Features

- Supply 5V DC @ 25mA
- Power Led On Board
- Header connector for supply and output
- Normal Output 1.800V
- South side Magnet side 4.800V
- North side Magnet Side 0.042V

Applications

- Throttle Position Sensing
- Pedal Position Sensing
- Suspension Position Sensing
- Valve Position Sensing
- Absolute Position Sensing
- Proximity Sensing



Magnetic Field Sensor

BOM			
SR.	QNTY	REF.	DESC.
1	1	CN1	2 PIN HEADER CONNECTOR
2	1	CN2	2 PIN HEADER CONNECTOR
3	3	C1,C2,C3	0.1uF SMD 1206
4	1	D1	LED SMD 1206
5	1	R1	18K SMD 1206
6	1	R2	Omit
7	1	R3	470K SMD 1206
8	1	R4	1K SMD 1206
9	1	R5	100K SMD 1206
10	1	R6	470E SMD 1206
11	1	U1	AD22151 SMD SO8

