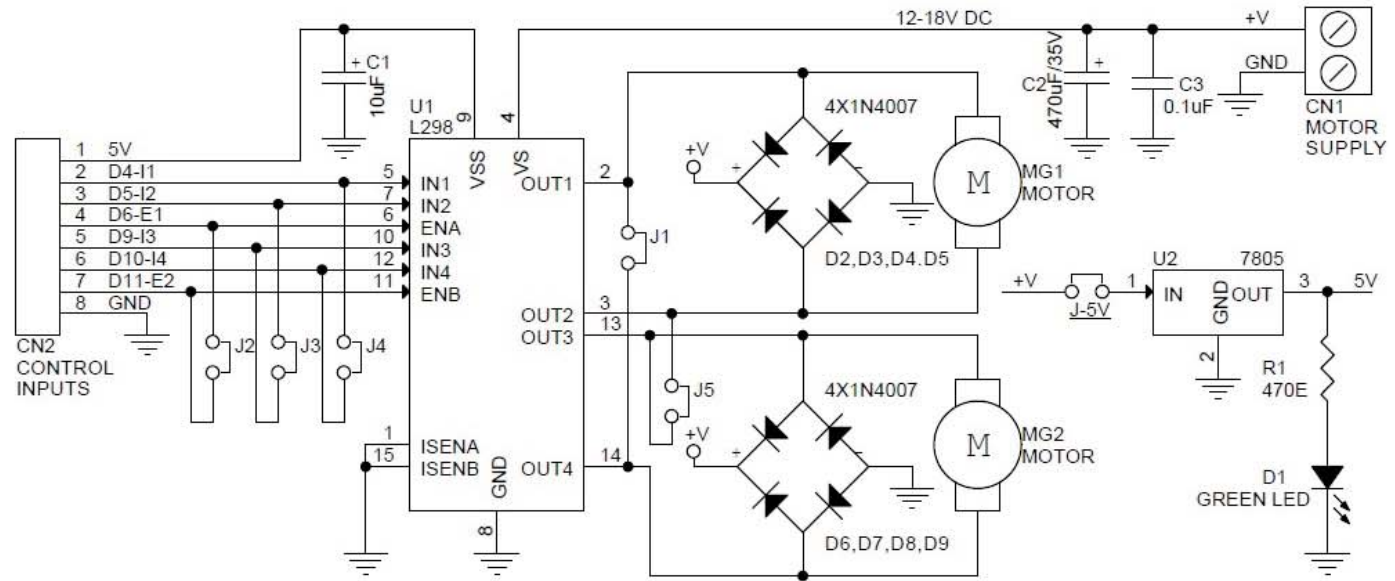
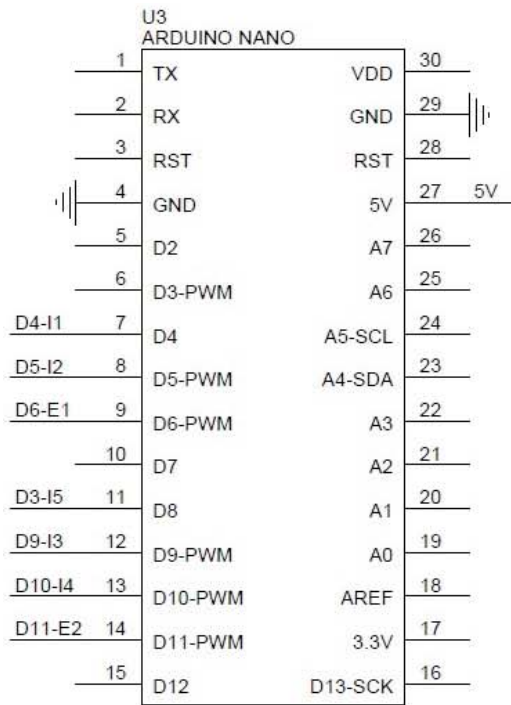


L298 Dual/singal Dc Motor Driver Arduino Nano Shield



I1>D4, I2>D5, E1>D6, I3>D9, I4>D10, E2>D11



0 7 0 0 5

