

## Mini Dc Motor Speed And Direction Controller Using L293 And 555

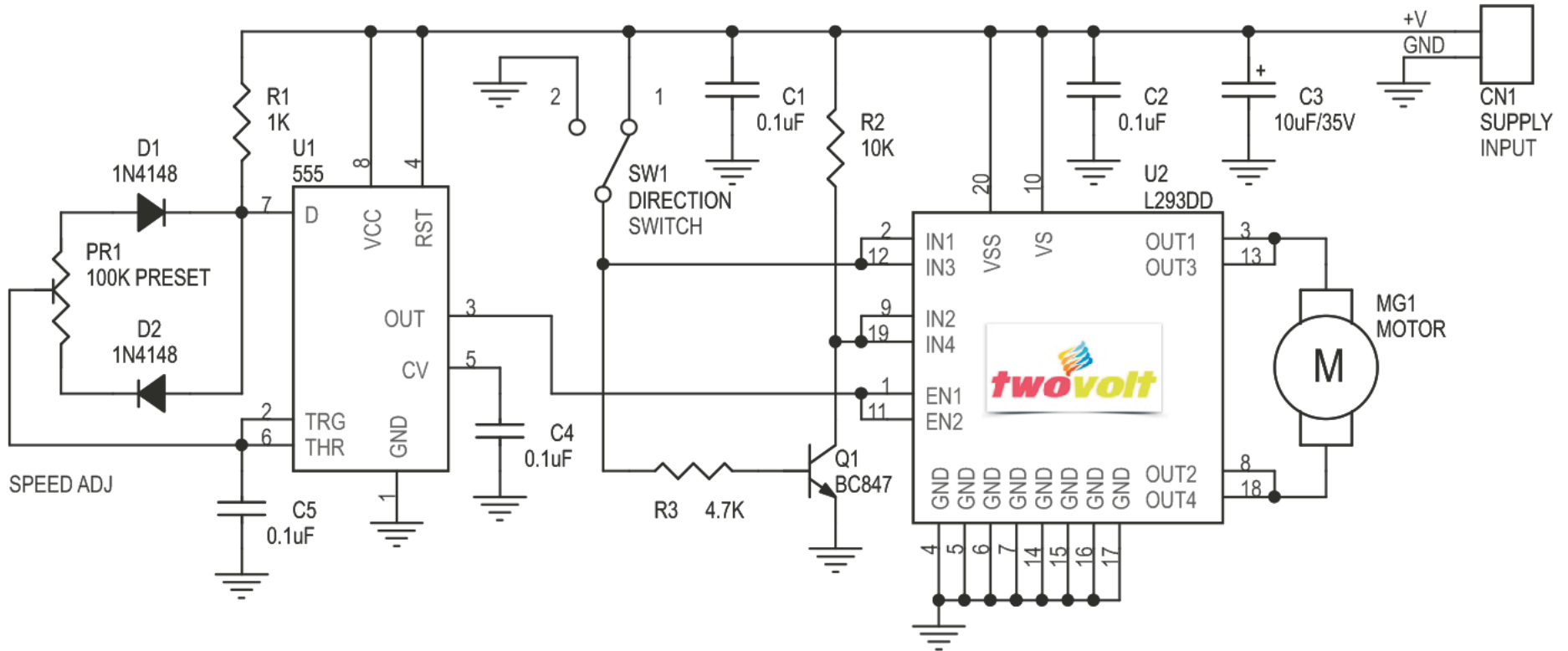
Project has been designed around L293 H-Bridge for Bidirectional motor operations, & 555 Timer IC which has been used as PWM generator for speed control. L293 is capable of continuous output current 600mA. Operating voltage 5V DC. Specially designed for low voltage Mini motors. Great control on speed via onboard preset, while direction is controlled by changing jumpers settings. PWM Duty cycle range 20% to 90% . Great kit can be used in science projects, toys, mini motor speed controllers, robotics, model-making.

DC Motor Speed and direction controller project based on L293D H-Bridge and 555 Timer IC. 555 Generate PWM and L293D works as output driver. The 293D provides bidirectional drive current up to 600mA a voltage from 5V to 12V. L293D includes the output clamping diodes for protections.

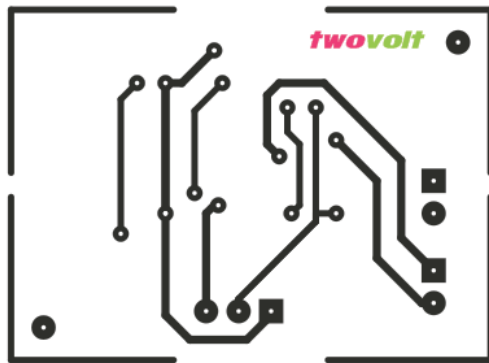
### Specifications

- Supply 5 to 12 V
- Inhibit facility/enable
- PWM Frequency 5KHz Maximum
- High Noise immunity
- Over temperature protection
- Capable of delivering output current up to 600 mA per channel
- The control/interface lines are accessible with Berg connector
- Header connector for motor and supply connection
- PR1 : Preset Speed Adjust
- SW1 : 3Pin Jumper and Closer for Direction change
- CN1 : DC Motor Supply input 5V to 12V DC

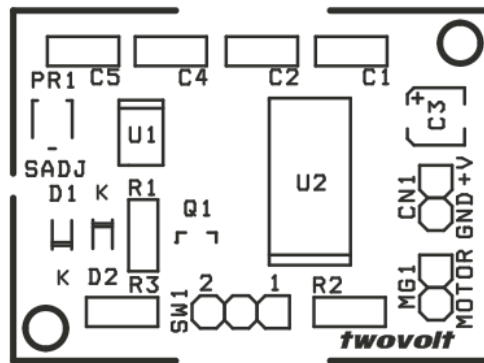




MOTTO8



SILK SCREEN TOP



TOP

