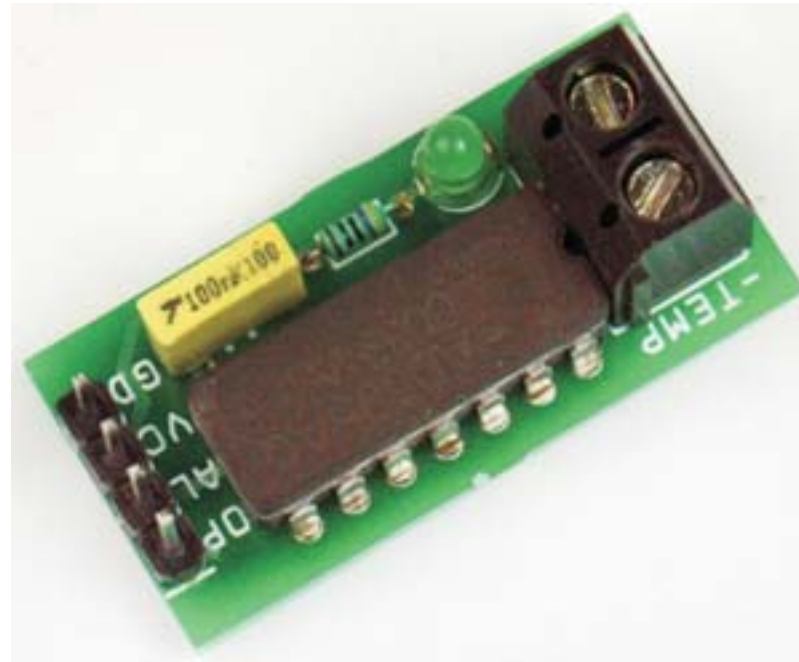
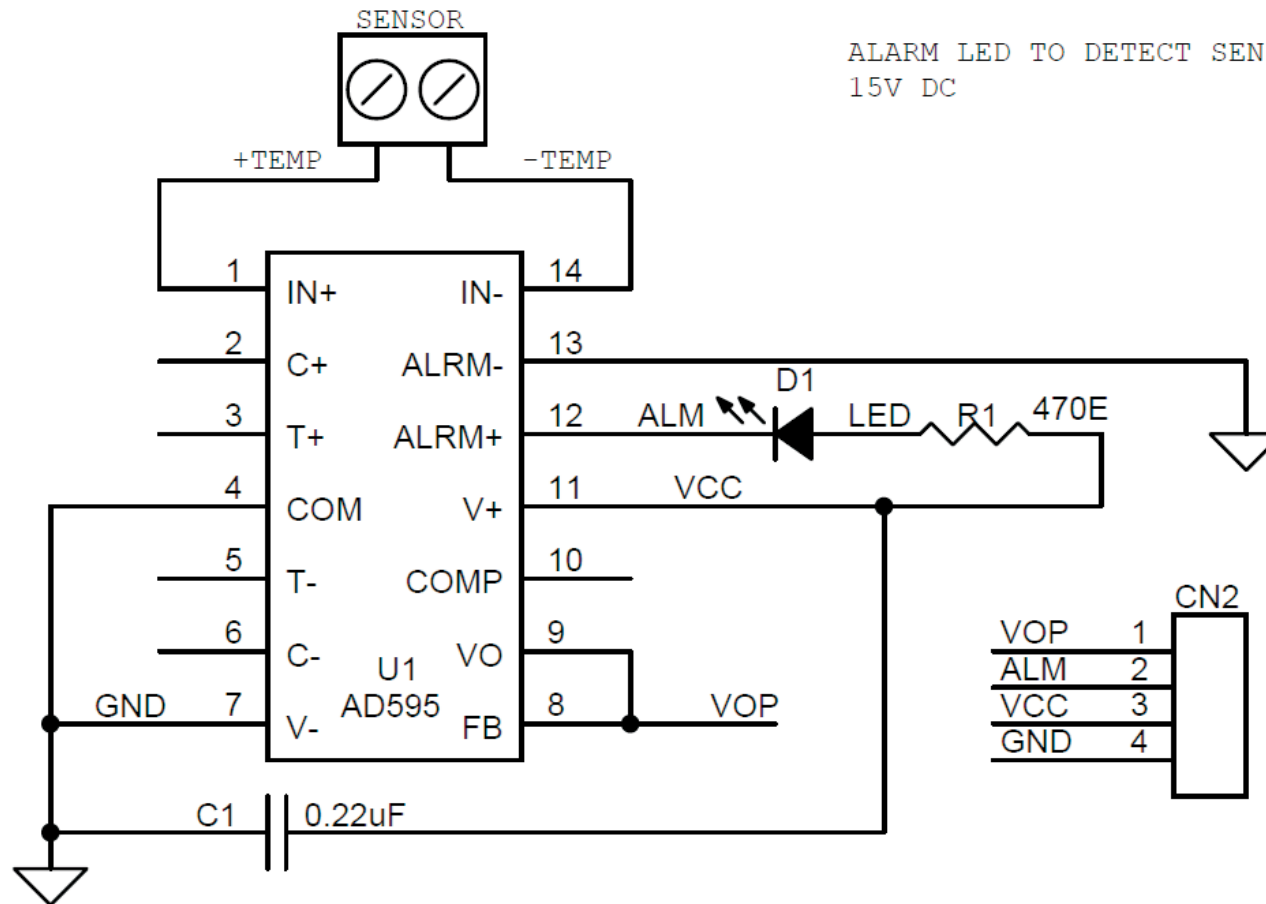


Type K Thermocouple Sensor Amplifiers with Cold Junction Compensation Using AD595-AD594

The sensor is based on AD595 IC from Analog devices. AD595 is a complete instrumentation amplifier and thermocouple cold junction compensator on a monolithic chip. It combines an ice point reference with a pre-calibrated amplifier to produce a high level (10 mV/°C) output directly from a thermocouple signal. Pin-strapping options allow it to be used as a linear amplifier-compensator or as a switched output set point controller. It is amplify its compensation voltage directly, thereby converting it to a stand-alone Celsius transducer with a low impedance voltage output. The AD595 includes a thermocouple failure alarm that indicates if one or both thermocouple leads become open. The alarm output has a flexible format which includes TTL drive capability.



ALARM LED TO DETECT SENSOR
15V DC



VOP	1
ALM	2
VCC	3
GND	4

