

Thermometer Using Arduino Nano LCD Shield

Another project, which display the ambient temperature on 16X2 LCD, Project is based on compact multipurpose Arduino LCD shield and LM35 analog temperature sensor, shield also provided with 3 Tact Switches, Relay , Power Mosfet, Trimmer Potentiometer to create multi projects. Circuit works with 5V DC, can be power up from USB or separate header connector.

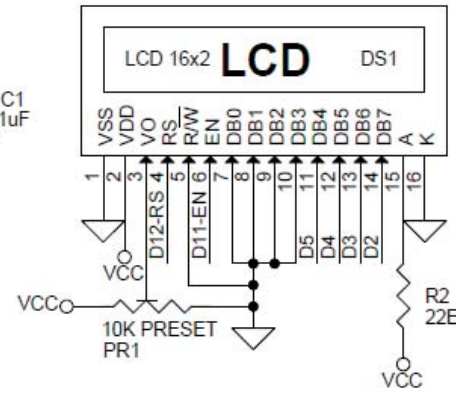
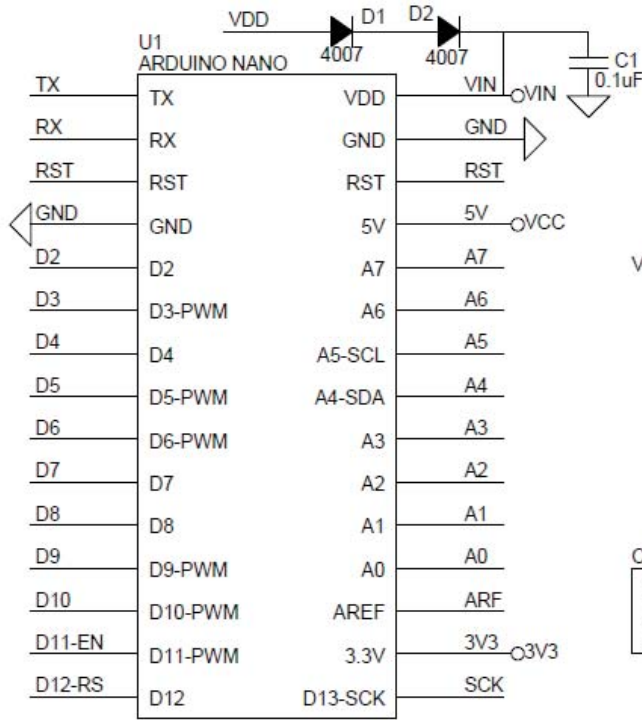
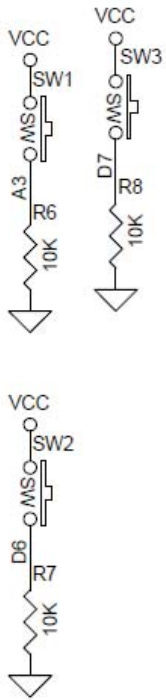
Arduino Pins LCD

- LCD RS pin to digital pin 12
- LCD Enable pin to digital pin 11
- LCD D4 pin to digital pin 5
- LCD D5 pin to digital pin 4
- LCD D6 pin to digital pin 3
- LCD D7 pin to digital pin 2
- LCD R/W pin to ground

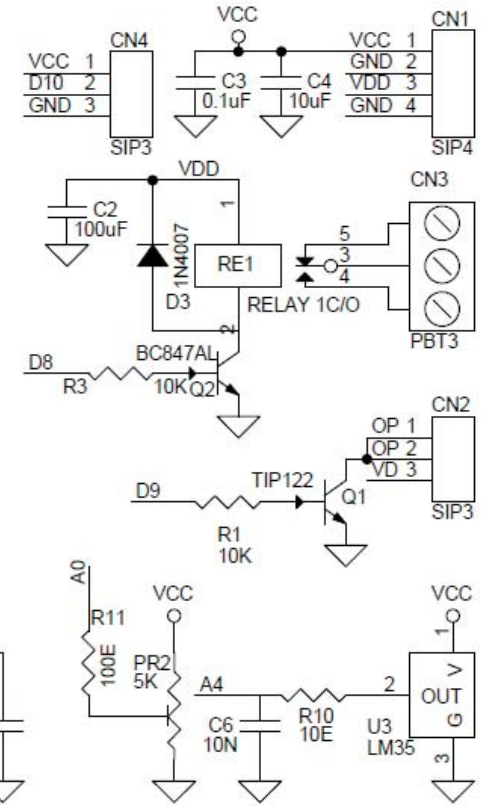
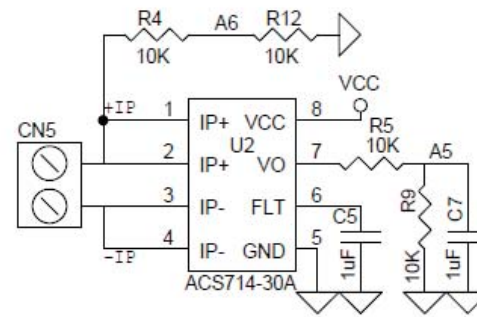
Arduino Pins Various Devices

- Switch 1 Arduino Pin A3
- Switch 2 Arduino Pin D6
- Switch 3 Arduino Pin D7
- Current Sensor ACS714 Arduino Pin A5
- Trimmer Potentiometer Arduino Pin A0
- LM35 Sensor Arduino Pin A4
- Power Mosfet Arduino Pin D9
- Relay Arduino Pin D8

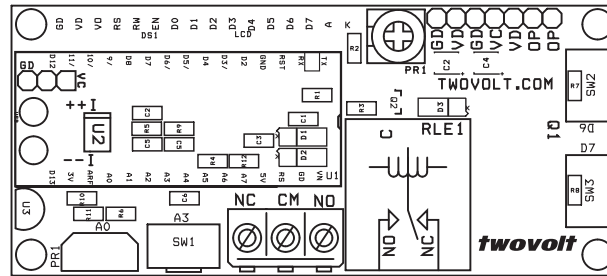




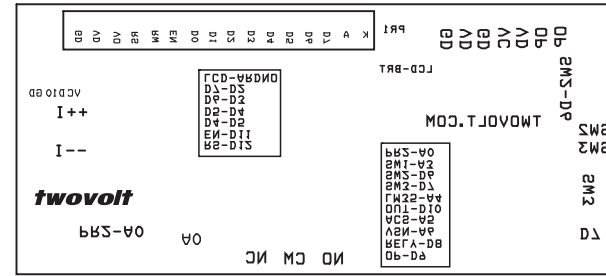
TWOVOLT.COM



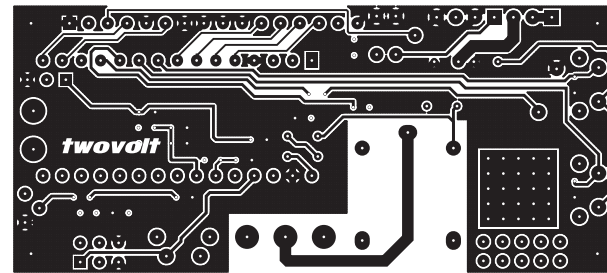
0 7 0 0 5



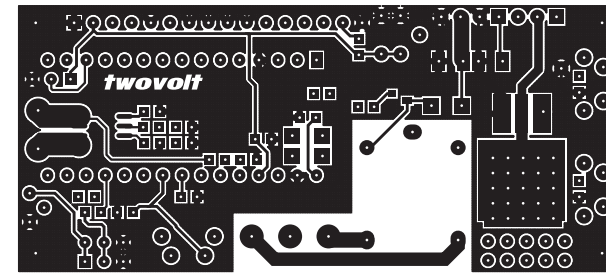
Silk Screen Top



Silk Screen Bottom



Bottom Layer



Top Layer

