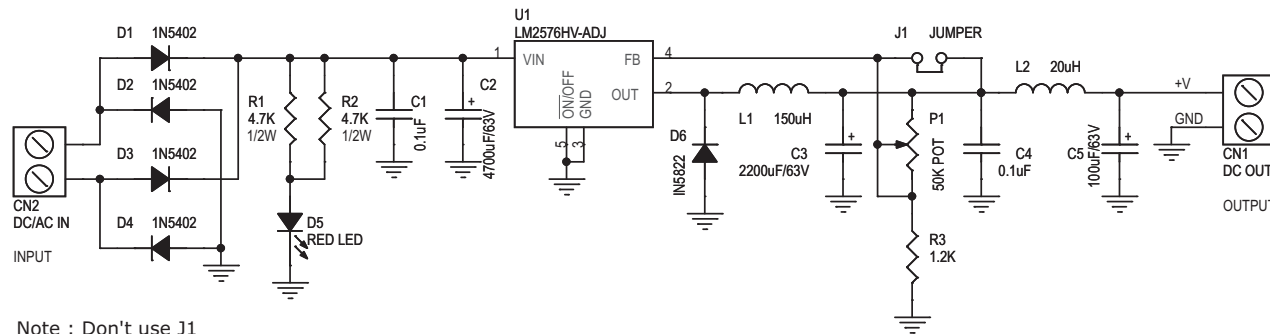


## 1.2V TO 57V ADJUSTABLE DC-DC CONVERTER

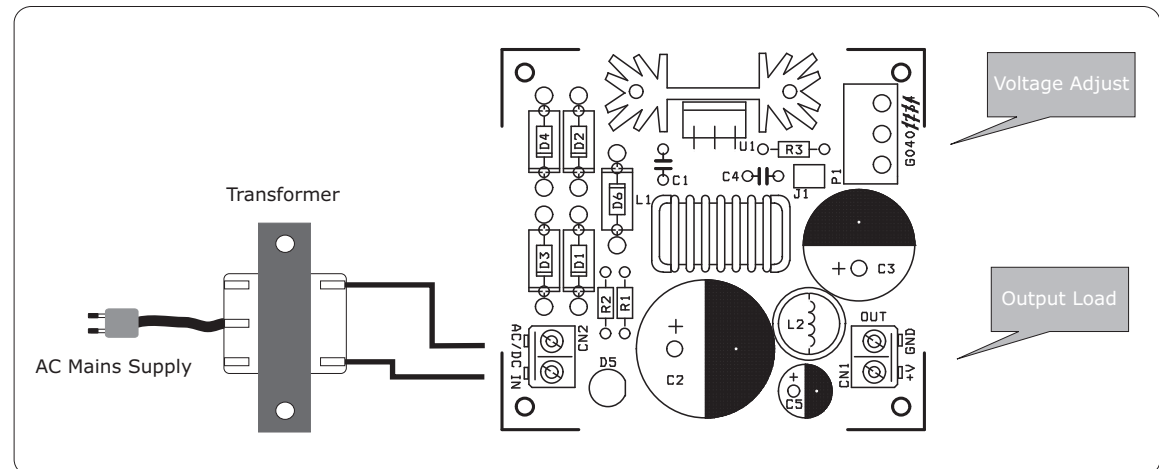
1.2V to 55V Adjustable DC-DC Converter project has been design around National Semiconductor LM2576HV IC.

- Input supply 60 VDC
- Output 1.2 to 57 VDC @ 2 A regulated low ripple DC voltage
- Onboard potentiometer for output voltage adjust
- Onboard bridge rectifier for AC voltage input
- LED indication at input
- Terminal block connectors for input and output connection
- Heat Sink includes
- Four mounting holes of 3.2 mm each
- PCB dimensions 70 mm x 63 mm

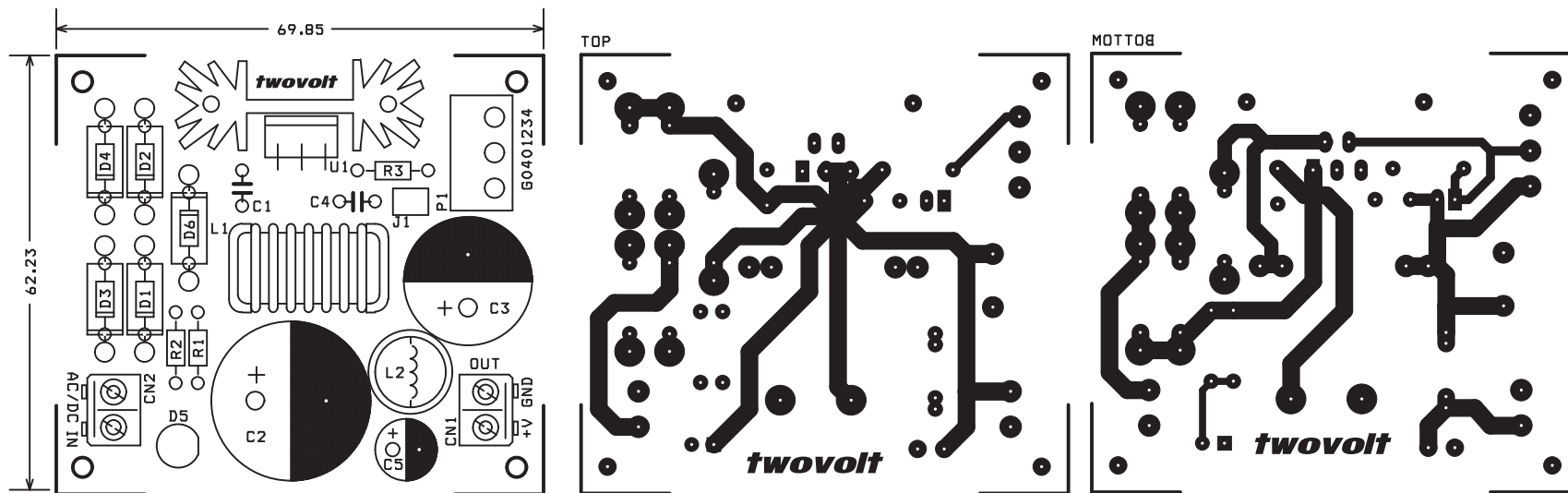


Note : Don't use J1

SR.	QTY.	REF.	DESCRIPTION
1	1	CN1	2 PIN PBT TERMINAL BLOCK CONNECTOR
2	1	CN2	2 PIN PBT TERMINAL BLOCK CONNECTOR
3	2	C1,C4	0.1uF
4	1	C2	4700uF/63V
5	1	C3	2200uF/63V
6	1	C5	100uF/63V
7	4	D1,D2,D3,D4	1N5402/1N5408
8	1	D5	RED LED
9	1	D6	IN5822
10	1	J1	OMIT
11	1	L1	150uH INDUCTOR
12	1	L2	20uH INDUCTOR
13	1	P1	47K/50K POTENTIOMETER
14	2	R1,R2	4.7K, 0.5W
15	1	R3	1.2K
16	1	U1	LM2576HV-ADJ
17	1	HEATSINK	HS05040
18	3	SCREW	SC02905
19	1	NUT	NT02900



# 1.2V TO 57V ADJUSTABLE DC-DC CONVERTER



0 7 0 0 5