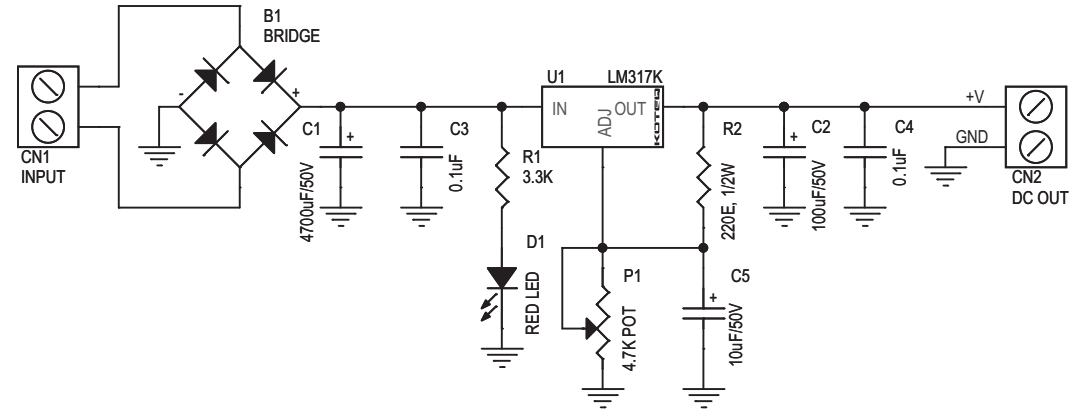


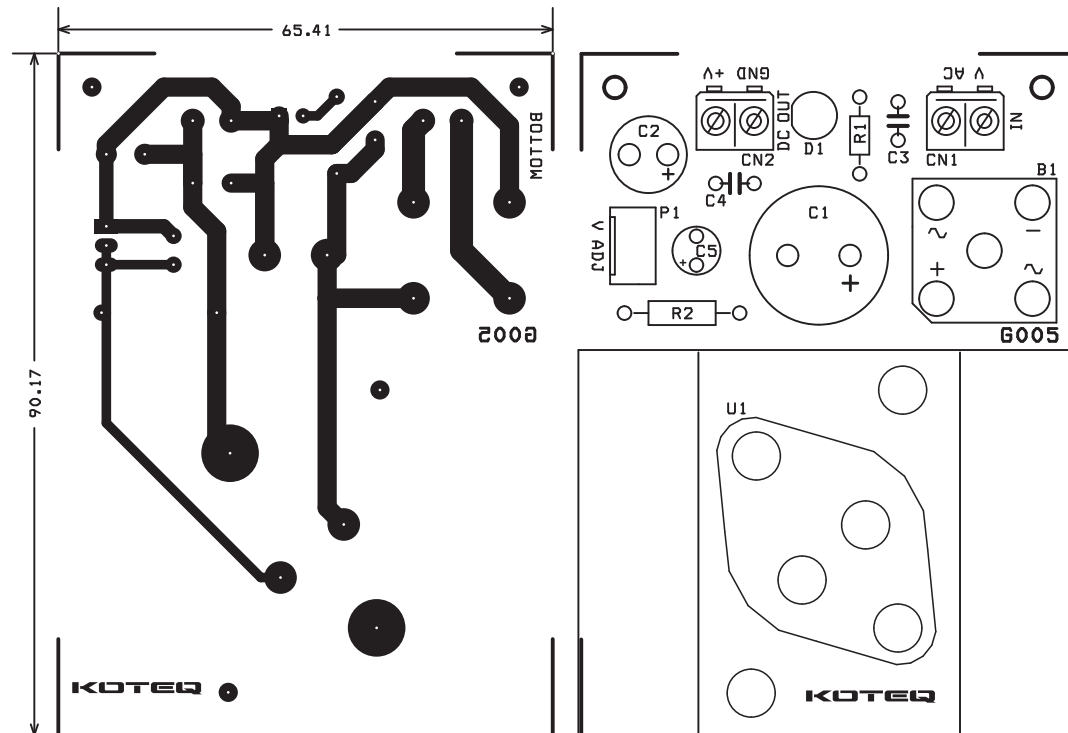
## 1.2 TO 37V, 1.5A ADJUSTABLE REGULATED POWER SUPPLY

This project provides a variable output power supply ranging from 1.2 to 37 V @ 1.5 A. Uses industry famous LM317 in TO3 package for delivering variable output voltage.

- Input 40 VDC or 28V AC 2Amps
- Output : 1.2 to 37 V @ 1.5 A regulated low ripple DC voltage
- Heatsink for regulator IC
- Onboard bridge rectifier to convert AC to DC
- LED indication at input of IC
- Thermal overload/short circuit protection (provided by IC feature)
- Screw terminal connector for easy input and output connection
- Relimate connector for connecting potentiometer (POT) to the PCB
- Filter capacitors for low ripple DC output
- Four mounting holes of 3.2 mm each
- PCB dimensions 91 mm x 66 mm



Cn1 Connector : Input Supply  
 Cn2 Connector : 1.2 to 37 V @ 1.5A Regulated Output  
 D1 LED : Input Supply LED Indication



SR.	QTY.	REF.	DESCRIPTION
1	1	B1	BR1010 BRIDGE RECTIFIER
2	1	CN1	2 PIN SCREW TERMINAL CONNECTOR
3	1	CN2	2 PIN SCREW TERMINAL CONNECTOR
4	1	C1	4700µF/50V
5	1	C2	100µF/50V OR 63V
6	2	C3,C4	0.1µF
7	1	C5	10µF/50V OR 63V
8	1	D1	RED LED
9	1	P1	3 PIN RELIMATE CONNECTOR
10	1	R1	3.3K
11	1	R2	220E/200E, 1/2W
12	1	U1	LM317K
13	1	HEATSINK	HS07051
14	2	SCREW	SCB2907
15	2	SCREW	SC02909
16	4	NUT	NT02900
17	1	POT	4.7K/5K POT

