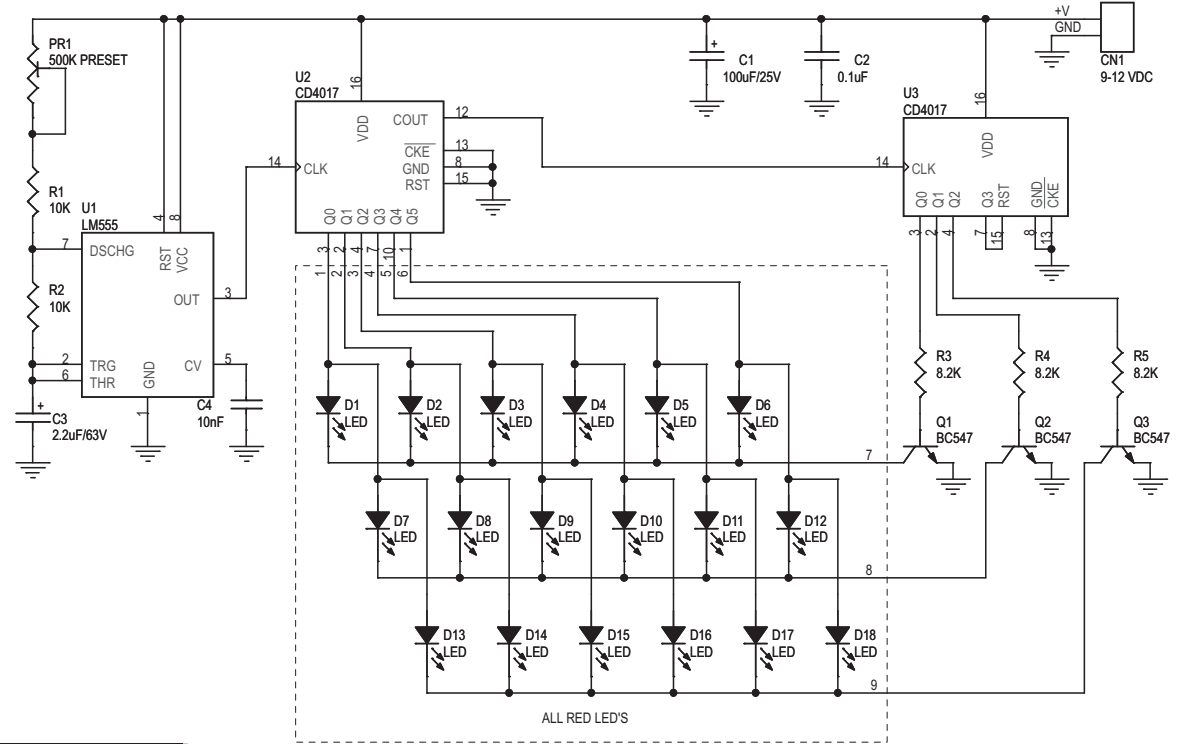
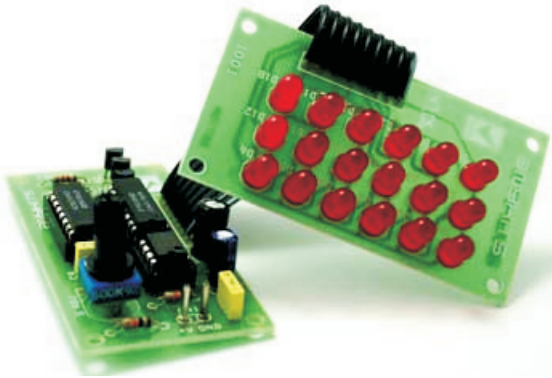


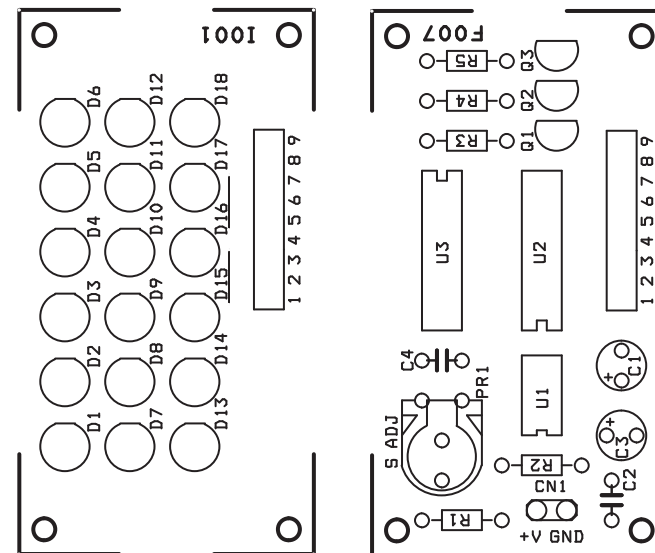
18 LED MULTIPLEXED CHASER

18 LED Multiplexed Chaser is a simple and fun loving project which can be used to attract attention in a area.

- Input supply - 9 ~ 12 VDC @ 17 mA current
- 6 X 3 LEDs to create a chasing sequence of first row to last row and back
- Onboard preset to adjust the speed of chaser
- 2 PCB project
- PCB dimensions 38 mm x 70 mm



| SR. | QTY. | REF. | DESCRIPTION |
|-----|------|-------------|--------------------------|
| 1 | 1 | CN1 | 2 PCB PIN |
| 2 | 1 | C1 | 100uF/25V |
| 3 | 1 | C2 | 0.1uF |
| 4 | 1 | C3 | 2.2uF/63V |
| 5 | 1 | C4 | 10nF |
| 6 | 18 | D1 TO D18 | RED LED |
| 7 | 1 | PR1 | 470K/500K PRESET |
| 8 | 3 | Q1,Q2,Q3 | BC547 |
| 9 | 2 | R1,R2 | 10K |
| 10 | 3 | R3,R4,R5 | 8.2K |
| 11 | 1 | U1 | LM555 |
| 12 | 2 | U2,U3 | CD4017 |
| 13 | 1 | SOCKET | 8 PIN DIP IC SOCKET |
| 14 | 2 | SOCKET | 16 PIN DIP IC SOCKET |
| 15 | 1 | FLAT CABLE | 9 CORE FLAT RIBBON CABLE |
| 16 | 2 | WIRE JUMPER | WIRE JUMPER |



18 LED MULTIPLEXED CHASER

