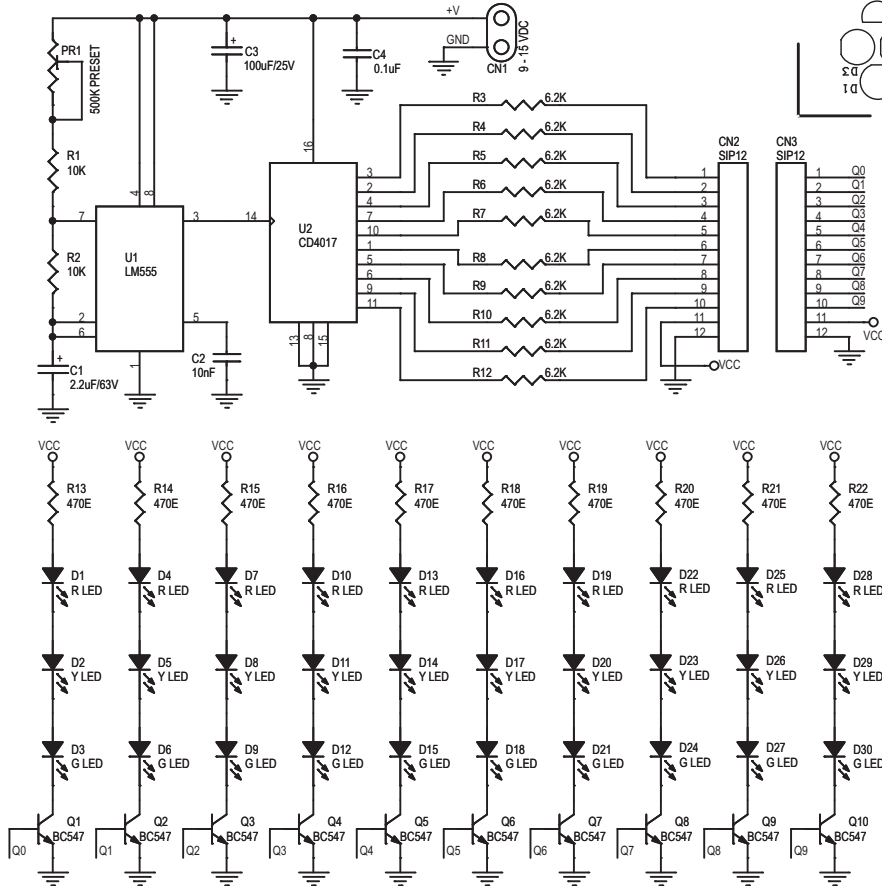
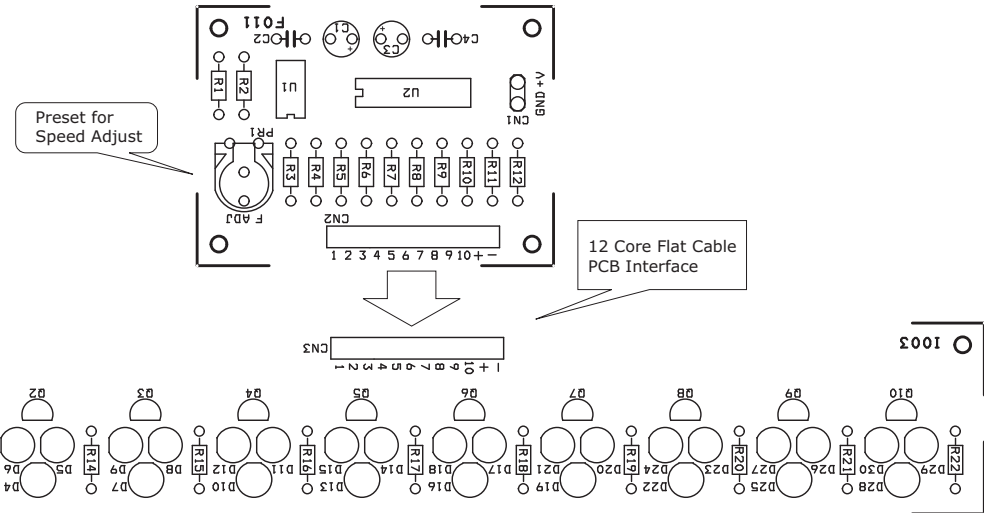
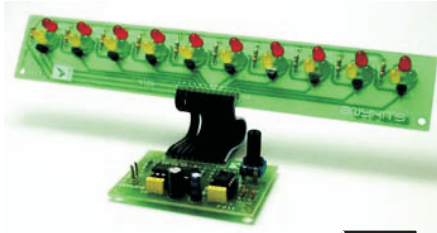


30 LED CHASER

30 LED Chaser is a simple project which can be used to attract attention in an area.

- Input supply - 9 ~ 15 VDC @ 25 mA Current
- Onboard preset to adjust the speed of chaser
- 2 PCB project
- Terminal pins for connecting DC power supply
- PCB dimensions 46 mm x 63 mm



SR.	QTY.	REF.	DESCRIPTION
1	1	CN1	2 PCB PINS
2	1	CN2 - CN3	12 CORE FLAT RIBBON CABLE
3	1	C1	2.2uF/63V
4	1	C2	10nF
5	1	C3	100uF/25V
6	1	C4	0.1uF
7	10	D1,D4,D7,D10,D13,D16,D19,D22,D25,D28	RED LED
8	10	D2,D5,D8,D11,D14,D17,D20,D23,D26,D29	YELLOW LED
9	10	D3,D6,D9,D12,D15,D18,D21,D24,D27,D30	GREEN LED
10	1	PR1	470K/500K PRESET
11	10	Q1,Q2,Q3,Q4,Q5,Q6,Q7,Q8,Q9,Q10	BC547
12	2	R1,R2	10K
13	10	R3,R4,R5,R6,R7,R8,R9,R10,R11,R12	6.2K
14	10	R13,R14,R15,R16,R17,R18,R19,R20,R21,R22	470E
15	1	U1	LM555
16	1	U2	CD4017
17	1	SOCKET	8 PIN DIP IC SOCKET
18	1	SOCKET	16 PIN DIP IC SOCKET



30 LED CHASER

