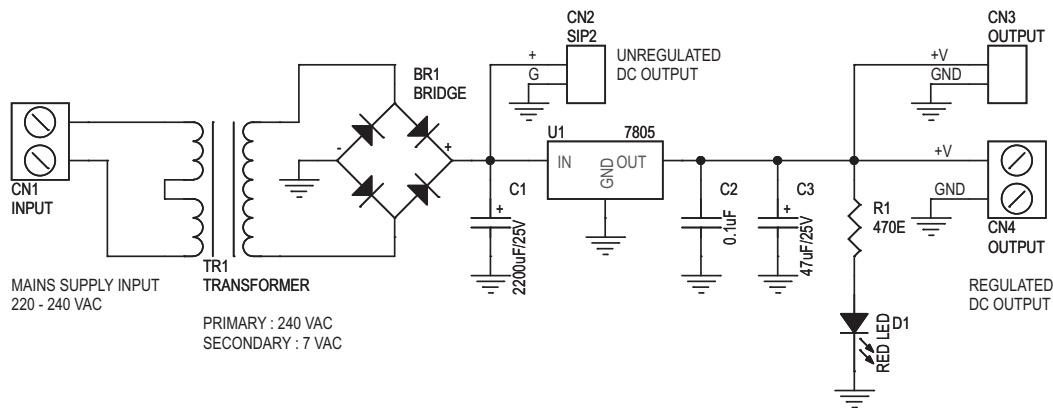
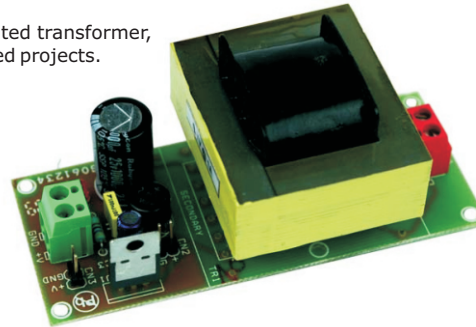


5V, 1A REGULATED POWER SUPPLY MODULE - INPUT 240 VAC

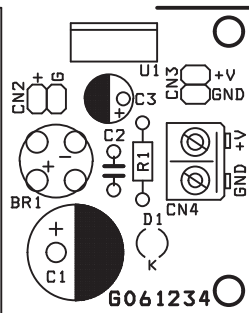
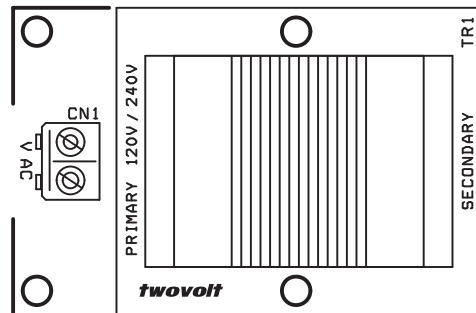
High quality power supply to powerup the Micro controller based projects. PCB Mounted transformer, compact size, easy connection via screw terminal connector. Can be use to run TTL based projects.

- Mains supply input 240 VAC
- Output 5 VDC, 1A (700 mA Ideal)
- Low ripple DC output
- Onboard regulator for stable supply
- Regulator required for peak current use
- Onboard power indication LED
- Supply input & output via screw terminal connector
- Berg connector for Aux 5 VDC output
- Unregulated supply 9 VDC via berg connector
- Four mounting holes of 3.2 mm each
- PCB Dimensions 96 mm x 41 mm



SR.	QTY.	REF.	DESCRIPTION
1	1	BR1	W04/W06/W08 BRIDGE RECTIFIER
2	1	CN1	2 PIN SCREW TERMINAL CONNECTOR
3	2	CN2,CN3	2 PIN BERG CONNECTOR
4	1	CN4	2 PIN SCREW TERMINAL CONNECTOR
5	1	C1	2200uF/25V
6	1	C2	0.1uF
7	1	C3	47uF/25V
8	1	D1	RED LED 3mm
9	1	R1	470E
10	1	TR1	TRANSFORMER 0-7 VAC, 1 A
11	1	U1	7805

SILK SCREEN TOP



MOTTOB

