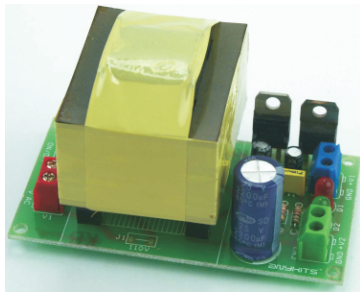
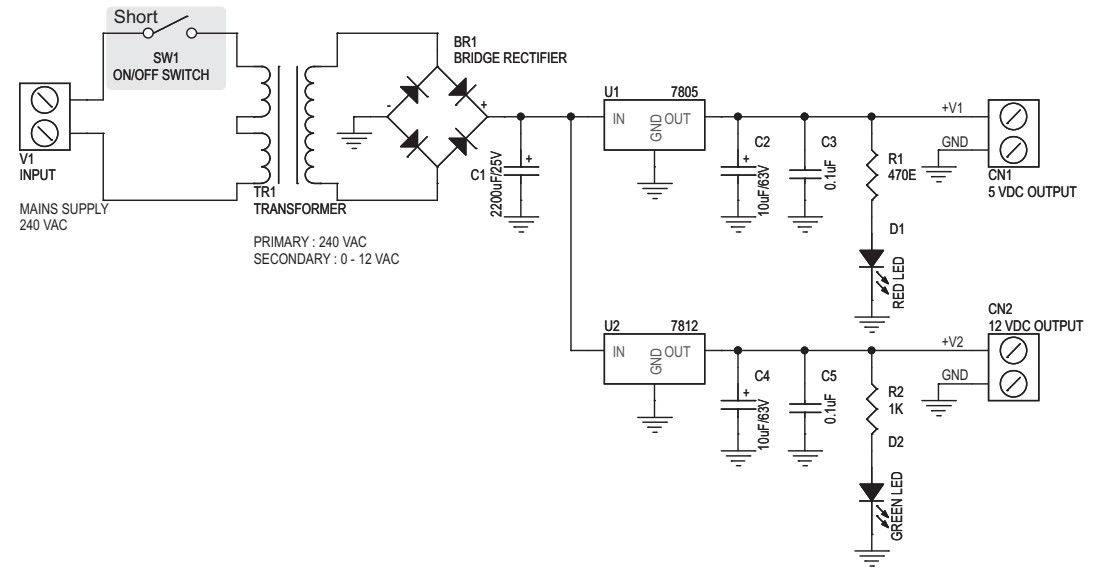


## 5V & 12V REGULATED POWER SUPPLY MODULE

This project can be used to power up TTL and CMOS based projects, it provides 5 VDC & 12 VDC outputs with an onboard mains transformer. The project is based on the industry popular 7800 series voltage regulator in TO220 packages.

- Input : 240 VAC
- Output : 5 V, 12 V @ 600 mA regulated low ripple DC voltage
- Thermal overload/short circuit protection (provided by IC feature)
- Power Battery Terminal (PBT) for easy input and output connection
- External On/Off switch connection possible
- LED indication for outputs
- Four mounting holes of 3.2 mm each
- PCB dimensions 87 mm x 49 mm



V1 Connector : AC Mains Supply Input  
 SW1 : On/Off Switch Optional  
 CN1 Connector : 5 VDC Output  
 CN2 Connector : 12 VDC Output

SR.	QTY.	REF.	DESCRIPTION
1	1	BR1	W06 BRIDGE RECTIFIER
2	1	CN1	2 PIN PBT CONNECTOR
3	1	CN2	2 PIN PBT CONNECTOR
4	1	C1	2200µF/25V
5	2	C2,C4	10µF/63V
6	2	C3,C5	0.1µF
7	1	D1	RED LED
8	1	D2	GREEN LED
9	1	J1	OMIT
10	1	R1	470E
11	1	R2	1K
12	1	SW1	SWITCH - OPTIONAL
13	1	TR1	TR015075 TRANSFORMER
14	1	U1	7805
15	1	U2	7812
16	1	V1	2 PIN PBT CONNECTOR

