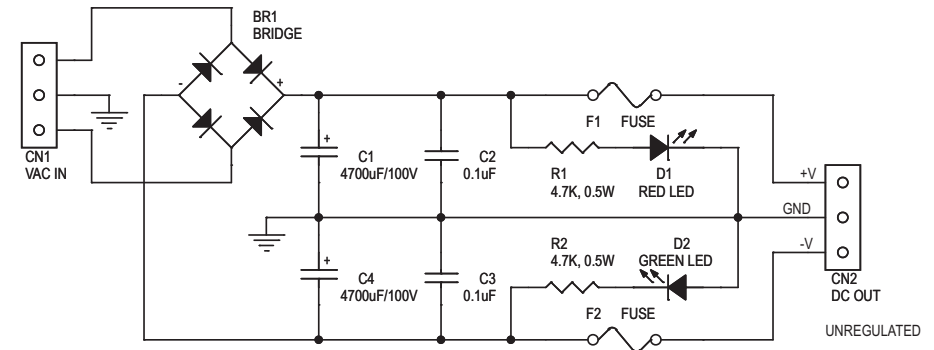


## DUAL 60V/5A UNREGULATED POWER SUPPLY

This project has been designed to provide symmetrical output unregulated, high voltage, high current for your demanding needs. Ideally suited for use in Audio Amplifier design projects.

- Input maximum 40-0-40 VAC Center-tap, 5 Amp
- Symmetrical unregulated, individually fused outputs
- 10A bridge rectifier onboard
- LED indication for both the outputs
- PCB mounted LUGS for connecting of input and output
- Four mounting holes of 3.2 mm each
- PCB Dimensions 114 mm x 84 mm



SR.	QTY.	REF.	DESCRIPTION
1	1	BR1	BR1010 BRIDGE RECTIFIER
2	1	CN1	3 LUGS V
3	1	CN2	3 LUGS H
4	2	C1,C4	4700uF/100V SNAP-IN
5	2	C2,C3	0.1uF/100V
6	1	D1	RED LED
7	1	D2	GREEN LED
8	2	F1,F2	FUSE HOLDER WITH 5A FUSE
9	2	R1,R2	4.7K, 0.5W

