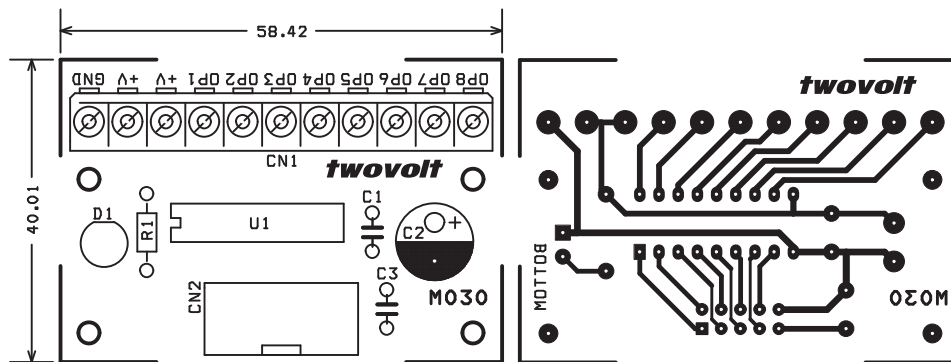
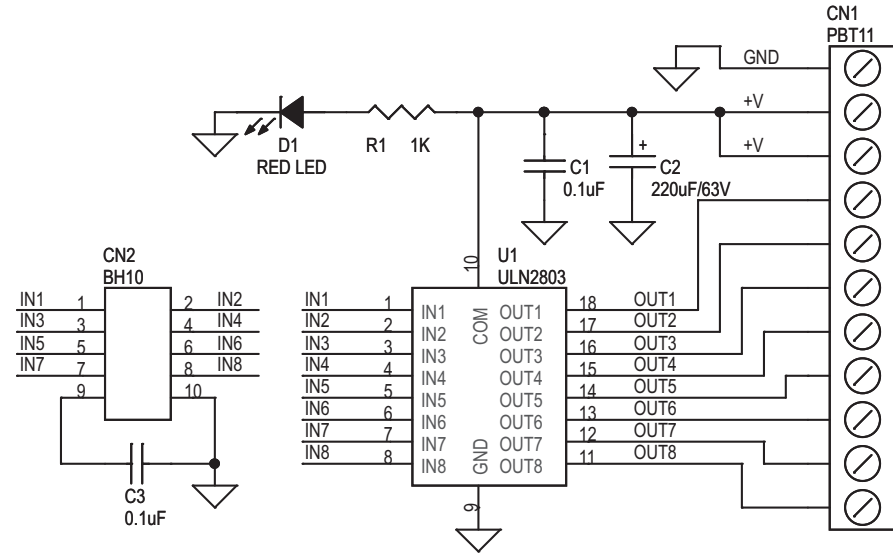


8 Channel Solenoid, Motor, Lamp, Relay Driver Using ULN2803

Project is designed around ULN2803 IC which is high voltage and high current 8 channel transistor array. Kit is very useful interface board that allows much higher voltage and higher current devices to be interfaced to the low level logic. Useful in application like 8 channel solenoid driver, stepper motor driver, DC motor driver, high current LED driver and relay driver. Motor, Solenoid, Lamp not included.

- Supply input 30 VDC
- Load current 350 mA each channel
- Input trigger TTL and CMOS (2 to 6 V)
- 10 Pin IDC connector for input logic interface
- Screw terminal connector for out connection
- IC has clamping Diode for protection
- Useful in application like Stepper Motor, DC Motor, Solenoid, Lamp, Relay, High Current LED driver etc
- Four mounting holes of 3.2 mm each
- PCB dimensions 59 mm x 40 mm



SR.	QTY.	REF.	DESCRIPTION
1	1	CN1	11 PIN SCREW TERMINAL CONNECTOR (3 PIN + 8 PIN)
2	1	CN2	10 PIN IDC CONNECTOR
3	2	C1,C3	0.1uF
4	1	C2	220uF/63V
5	1	D1	RED LED
6	1	R1	1K
7	1	U1	ULN2803
8	1	SOCKET	18 PIN DIP IC SOCKET