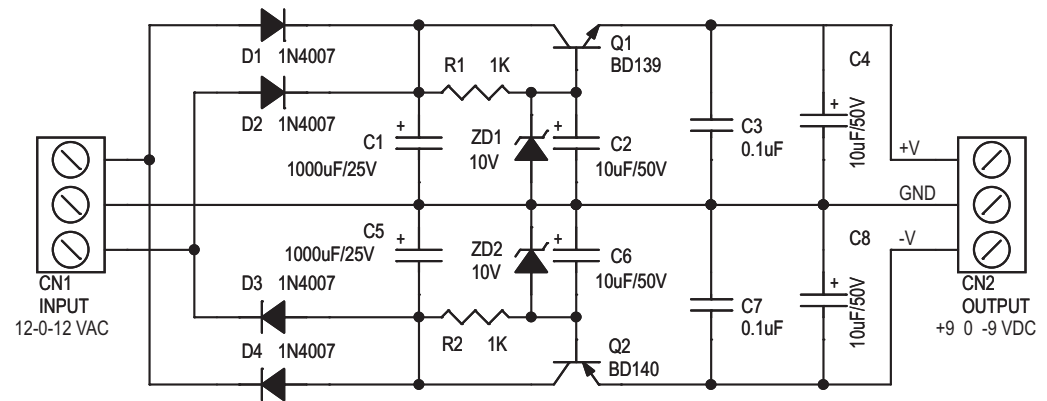


DUAL POLARITY 9V REGULATED POWER SUPPLY

This circuit provides Zener Regulated Dual ± 9 VDC output power supply.

- Input 12-0-12 VAC, 500 mA
- Output ± 9 VDC, 250 mA, Zener regulated low ripple DC voltage
- Input bridge rectifier made from discrete Diodes
- Screw terminal connector for easy input and output connection
- Four mounting holes of 3.2 mm each
- PCB dimensions 39 mm x 60 mm



SR.	QTY.	REF.	DESCRIPTION
1	1	CN1	3 PIN PBT CONNECTOR
2	1	CN2	3 PIN PBT CONNECTOR
3	2	C1,C5	1000uF/25V
4	4	C2,C4,C6,C8	10uF/50V OR 63V
5	2	C3,C7	0.1uF
6	4	D1,D2,D3,D4	1N4007
7	1	Q1	BD139
8	1	Q2	BD140
9	2	R1,R2	1K
10	2	ZD1,ZD2	10V ZENER

