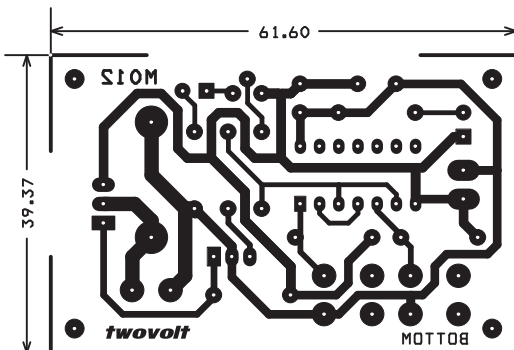
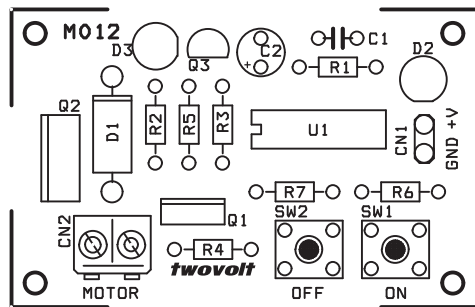
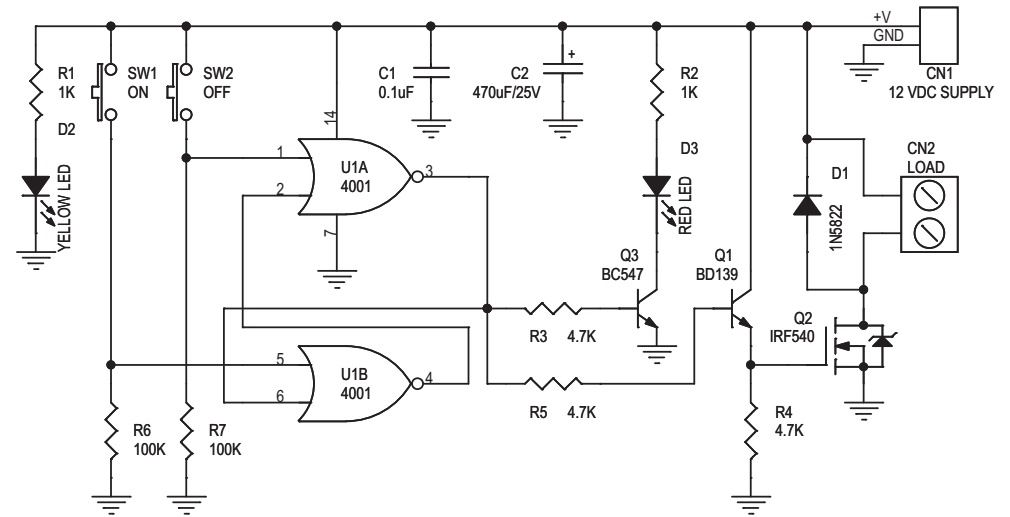


ON/OFF DC MOTOR CONTROLLER

ON/OFF DC Motor Controller project offers simple On/Off Switch Control.

- Input supply : 12 VDC @ 1 A
- Output : upto 1 A
- Onboard tactile switch for ON/OFF control
- MOSFET based drive design with diode protection
- LED indicator for ON/OFF state
- Power-On LED indicator
- Terminal pins and Power Battery Terminal (PBT) for easy input / output connection
- PCB dimensions 40 mm x 62 mm



SR.	QTY.	REF.	DESCRIPTION
1	1	CN1	2 PCB PINS
2	1	CN2	2 PIN PBT CONNECTOR
3	1	C1	0.1uF
4	1	C2	470uF/25V
5	1	D1	1N5822/FR306
6	1	D2	YELLOW LED
7	1	D3	RED LED
8	1	Q1	BD139
9	1	Q2	IRF540
10	1	Q3	BC547
11	2	R1,R2	1K
12	3	R3,R4,R5	4.7K
13	2	R6,R7	100K
14	1	SW1	TACT SWITCH
15	1	SW2	TACT SWITCH
16	1	U1	4001
17	1	SOCKET	14 PIN DIP IC SOCKET

CN1 Connector : 12 VDC Supply Input, 1 A
 CN2 Connector : DC motor 12 V max 1 A
 D2 : Power indication
 D3 : Motor On/Off indication

