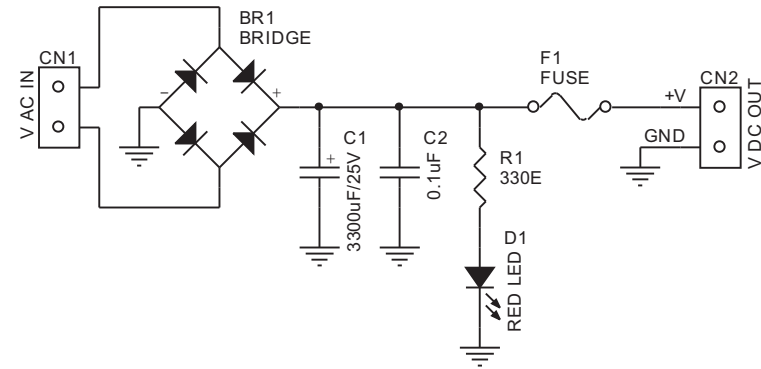


80V/10A UNREGULATED POWER SUPPLY

This project is designed to provide unregulated high voltage, high current for your demanding needs. Ideally suited for use in Audio Amplifier design projects.

- Input - 0 - 65 VAC, 10 Amp
- Unregulated fused output
- 10 A bridge rectifier on board
- LED indication for output
- PCB mounted LUGS for connecting input and output
- Four mounting holes of 3.2 mm each
- PCB dimensions 51 mm x 97 mm



SR.	QTY.	REF.	DESCRIPTION
1	1	BR1	BR1010
2	1	CN1	2 LUGS H
3	1	CN2	2 LUGS H
4	1	C1	4700uF/100V SNAP-IN
5	1	C2	0.1uF/100V
6	1	D1	RED LED
7	1	F1	PCB TYPE FUSE HOLDER + 5A FUSE
8	1	R1	330E

