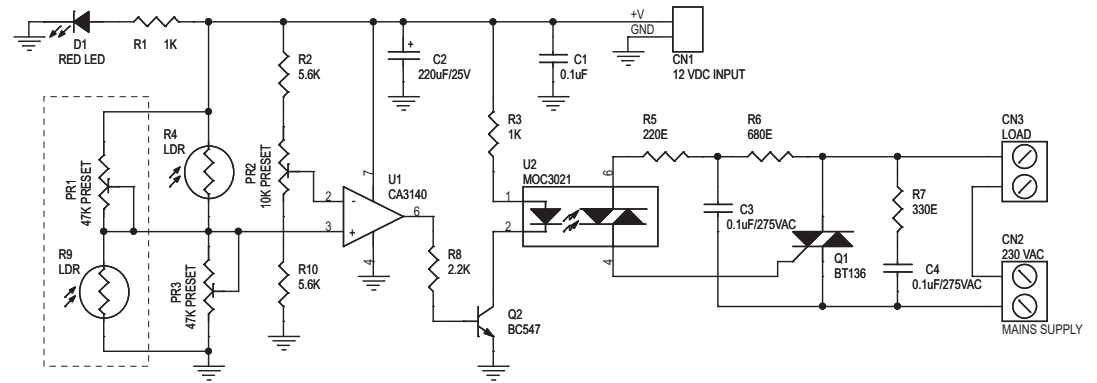


LIGHT SENSITIVE INDUCTIVE LOAD CONTROLLER

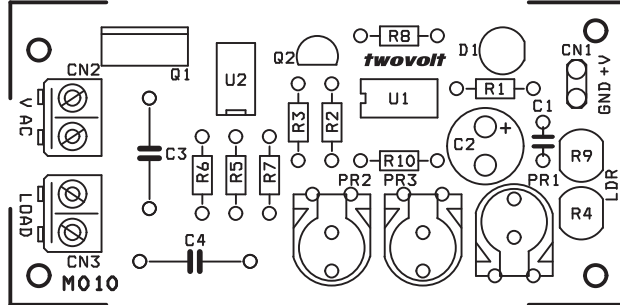
Light Sensitive Inductive Load Controller project offers On / Off control, depending on presence or absence of light. Some of the controllable inductive load could be single phase AC Motor, Solenoid Valve etc.

- Input supply - 12 VDC
- Output - upto 200 W, 230 VAC
- Opto-isolated Triac based design
- Power-On LED indicator
- Power Battery Terminal (PBT) and Terminal pins for easy input / output connection
- PCB dimensions 41 mm x 82 mm

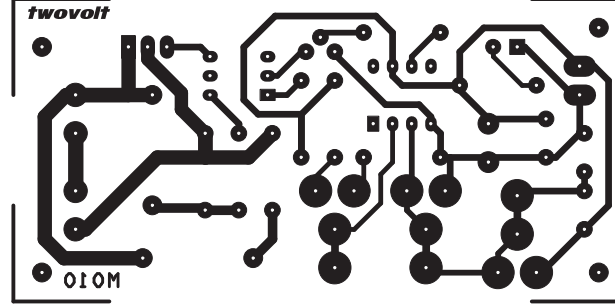


- CN1 : Supply 12 VDC (9V Possible), 50 mA
- CN2 : 230 VAC Mains Supply, 5 A input
- CN3 : AC Load, Pump, Motor or Solenoid 200 W (Max)
- D1 : Power indication
- R4+PR3 : If this is use it act as Light sensitive switch
- R1+PR1 : If this is use it act as Dark Sensitive switch

SILK SCREEN TOP



MOTTOB



SR.	QTY.	REF.	DESCRIPTION
1	1	CN1	2 PCB PINS
2	1	CN2	2 PIN SCREW TERMINAL CONNECTOR
3	1	CN3	2 PIN SCREW TERMINAL CONNECTOR
4	1	C1	0.1uF
5	1	C2	220uF/25V
6	2	C3,C4	0.1uF/275VAC
7	1	D1	RED LED
8	1	PR1 OR PR3	47K/50K PRESET
9	1	PR2	10K PRESET
10	1	Q1	BT136
11	1	Q2	BC547
12	2	R1,R3	1K
13	2	R2,R10	5.6K
14	1	R4 OR R9	LDR
15	1	R5	220E
16	1	R6	680E
17	1	R7	330E
18	1	R8	2.2K
19	1	U1	CA3140
20	1	U2	MOC3021
21	1	SOCKET	8 PIN DIP IC SOCKET

