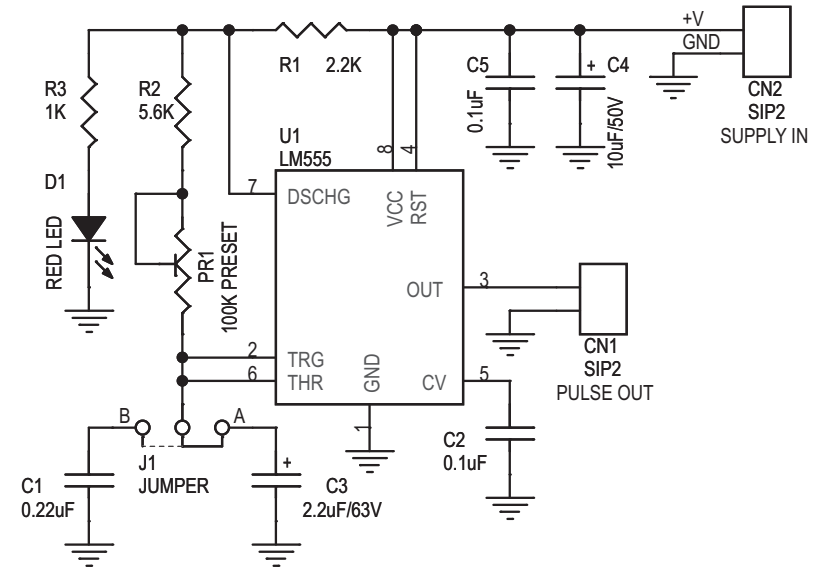
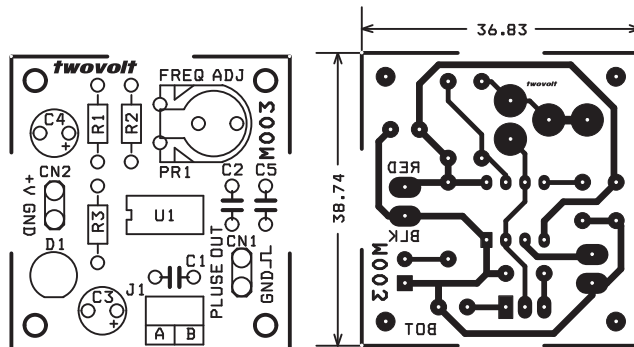


555 STEPPER PULSE GENERATOR

The 555 Stepper Pulse Generator project will help you with the pulse required to drive your favorite DC Servo Motor application. This project uses the famous 555 timer IC for generating the Stepping Pulse.

- Input : 5 to 12 VDC @ 25 mA
- TTL/CMOS Compatible Power Supply and Output
- Jumper selectable two speed operation
- Onboard preset to vary the duty cycle
- Power-On LED indicator
- Terminal pins for easy Connections
- Four mounting holes of 3.2 mm each
- PCB dimensions 39 mm x 37 mm



- CN1 : Pulse Out
- CN2 : Supply Input 5 to 12 VDC, 25 mA
- PR1 : Pulse Frequency Adjust
- D1 : Power Indication
- J1 : Jumper Setting (A : 1 to 54 Hz, B : 30 to 512 Hz)
- Other frequencies are possible changing the value of C1 or C3 and PR1

| SR. | QTY. | REF. | DESCRIPTION |
|-----|------|--------|--------------------------|
| 1 | 1 | CN1 | 2 PCB PINS |
| 2 | 1 | CN2 | 2 PCB PINS |
| 3 | 1 | C1 | 0.22uF |
| 4 | 2 | C2,C5 | 0.1uF |
| 5 | 1 | C3 | 2.2uF/63V |
| 6 | 1 | C4 | 10uF/50V OR 63V |
| 7 | 1 | D1 | RED LED |
| 8 | 1 | J1 | 3 PIN JUMPER WITH CLOSER |
| 9 | 1 | PR1 | 100K PRESET |
| 10 | 1 | R1 | 2.2K |
| 11 | 1 | R2 | 5.6K |
| 12 | 1 | R3 | 1K |
| 13 | 1 | U1 | 555 |
| 14 | 1 | SOCKET | 8 PIN DIP IC SOCKET |

