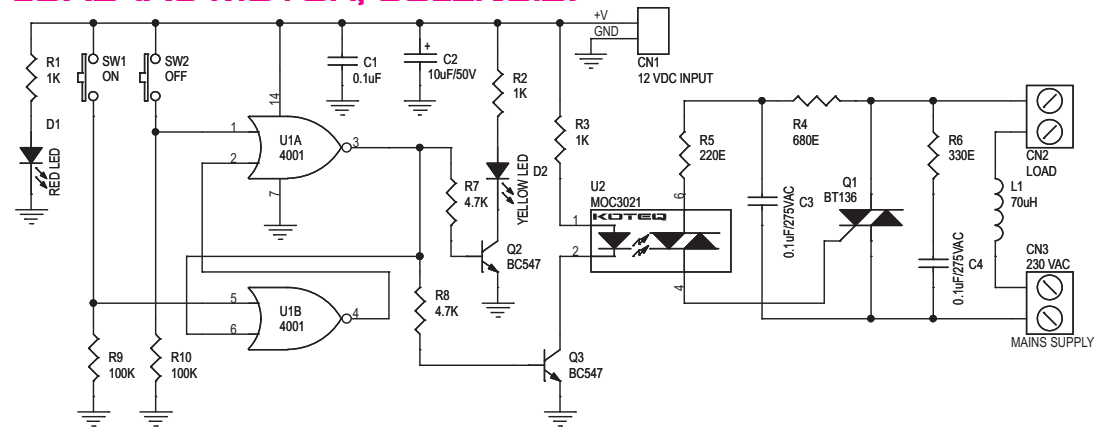
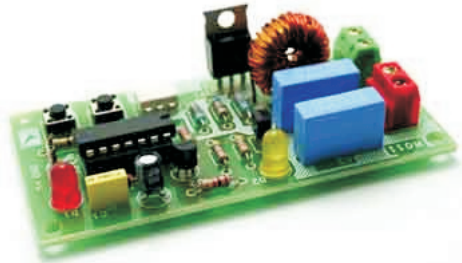


ISOLATED DIGITAL ON/OFF SWITCH FOR AC LOAD (AC MOTOR, SOLENOID)

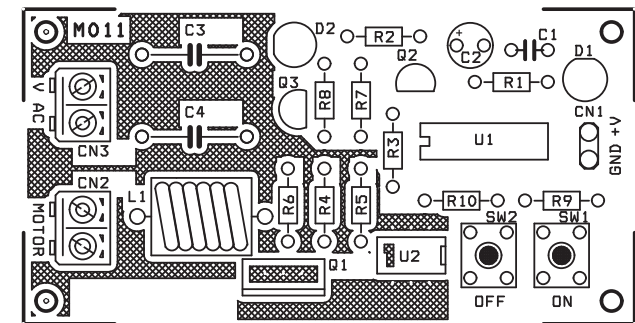
ON/OFF AC load Controller project offers simple On/Off Switch Control with two tact switch

- Input supply - 12 VDC @ 40 mA
- Output - upto 500 W - 230 VAC
- Onboard tactile switch for ON/OFF control
- Opto-isolated Triac based design
- Power-On LED indicator
- Power Battery Terminal (PBT) and Terminal pins for easy input / output connection
- Four mounting holes of 3.2 mm each
- PCB dimensions 44 mm x 86 mm



SR.	QTY.	REF.	DESCRIPTION
1	1	CN1	2 PCB PINS
2	1	CN2	2 PIN PBT CONNECTOR
3	1	CN3	2 PIN PBT CONNECTOR
4	1	C1	0.1uF
5	1	C2	10uF/50V
6	2	C3,C4	0.1uF/275VAC
7	1	D1	RED LED
8	1	D2	YELLOW LED
9	1	L1	1mH
10	1	Q1	BT136
11	2	Q2,Q3	BC547
12	3	R1,R2,R3	1K
13	1	R4	680E
14	1	R5	220E
15	1	R6	330E
16	2	R7,R8	4.7K
17	2	R9,R10	100K
18	1	SW1	TACT SWITCH
19	1	SW2	TACT SWITCH
20	1	U1	4001
21	1	U2	MOC3021
22	1	SOCKET	14 PIN DIP IC SOCKET

- CN1 12 VDC, 200 mA
- CN2 - AC loads up to 500W, 230 VAC
- CN3 230 VAC Mains Supply
- D1 - Logic supply indication
- D2 - AC ON/OFF indication
- SW1 - Turn On operation
- SW2 - Turn Off operation



03038