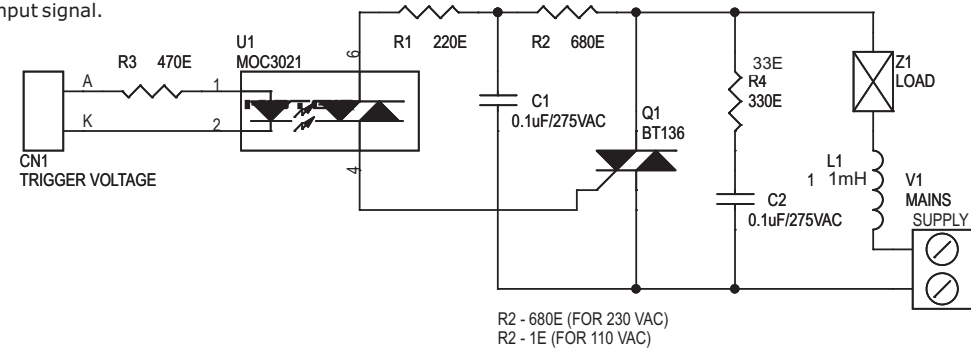


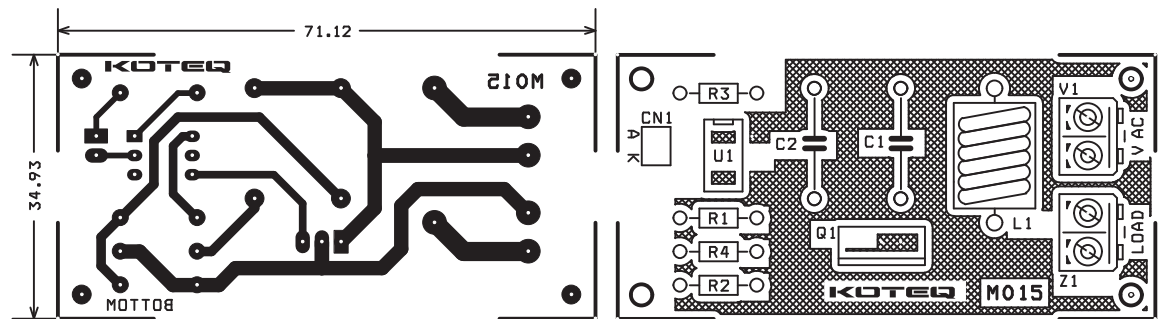
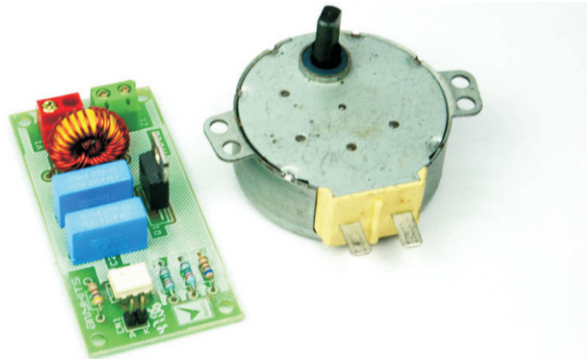
AC SOLID STATE RELAY FOR INDUCTIVE LOAD

AC Solid state Relay for Inductive Load offers simple On/Off type Switch Control with TTL compatible input signal.

- Input signal : 2 ~ 5 VDC, TTL compatible
- Output : upto 500 W
- Mains supply input 230 VAC or 110 VAC
- Optically isolated Triac based design
- Power Battery Terminal (PBT) and Terminal pins for easy input / output connection
- Four mounting holes of 3.2 mm each
- PCB dimensions 35 mm x 72 mm



CN1 Connector : Trigger voltage 2 to 5 VDC (12/24 V also possible Changing R3 Value)
Z1 Connector : Load Solenoid or AC Motor (Any Inductive Load) up to 500 W
V1 Connector : Mains Supply Input, 5 A



SR.	QTY.	REF.	DESCRIPTION
1	1	CN1	2 PIN BERG CONNECTOR
2	2	C1,C2	0.1uF/275VAC
3	1	L1	1mH
4	1	Q1	BT136
5	1	R1	220E
6	1	R2	680E / 1E
7	1	R3	470E
8	1	R4	39E
9	1	U1	MOC3021
10	1	V1	2 PIN PBT CONNECTOR
11	1	Z1	2 PIN PBT CONNECTOR