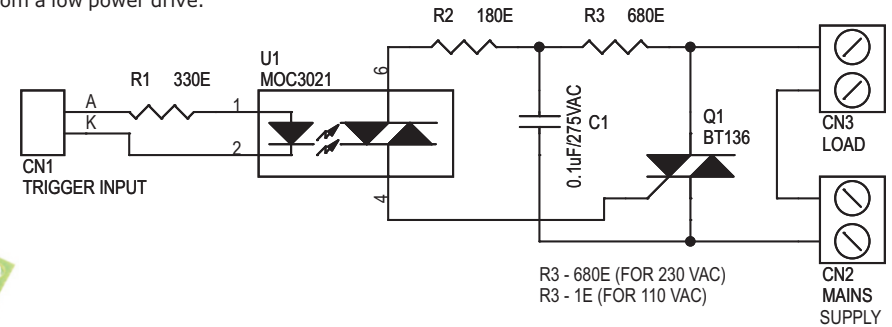
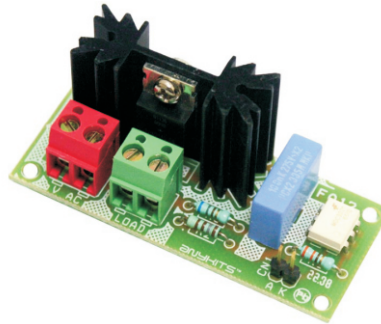


SOLID STATE RELAY SWITCH

Solid State Relay Switch is a simple project which will help you control (ON/OFF) a single high power circuit from a low power drive. AC lamp drive, Micro-controller interface etc.

- Load 300 W
- Mains supply input 230 VAC or 110 VAC
- Trigger voltage 2 to 5 VDC (TTL) @ 10 mA
- Triac and opto-coupler based design
- Input isolated with use of optocoupler
- Screw terminal connector for input mains and load connection
- Berg connector for connecting input trigger signal
- Heatsink for Triac
- Four mounting holes of 3.2 mm each
- PCB dimensions 65 mm x 28 mm



SR.	QTY.	REF.	DESCRIPTION
1	1	CN1	2 PIN BERG CONNECTOR
2	1	CN2	2 PIN SCREW TERMINAL CONNECTOR
3	1	CN3	2 PIN SCREW TERMINAL CONNECTOR
4	1	C1	0.1uF/275VAC
5	1	Q1	BT136
6	1	R1	330E
7	1	R2	180E
8	1	R3	680E / 1E
9	1	U1	MOC3021
10	1	HEATSINK	HS05025
11	1	SCREW	SC02909
12	2	SCREW	SC02905
13	1	NUT	NT02900

