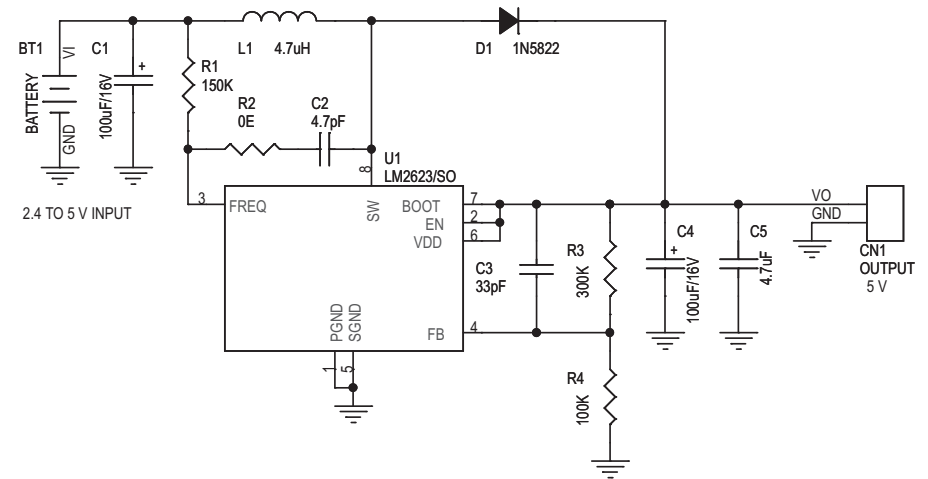


## TWO BATTERY TO 5V OUT DC-DC CONVERTER

Kit has been designed around LM2623 IC, which is high efficiency step up DC-DC converter for battery operated equipments.

- Input supply 2.4 to 3 V
- Two battery input, 5 VDC output
- Two 1.2V NIMH/NICD or two 1.5V AA Battery input
- Output supply 5 VDC, 300mA
- Very low output ripple
- High efficient 80-90%
- SMD Based compact design
- Good for hand-held instruments
- Ready to use module



SR.	QTY.	REF.	DESCRIPTION
1	1	BT1,CN1	4 PIN ST/RA BERG CONNECTOR
2	2	C1,C4	100uF/16V
3	1	C2	4.7pF
4	1	C3	33pF, OPTIONAL
5	1	C5	4.7uF
6	1	D1	1N5822
7	1	L1	4.7uH
8	1	R1	150K
9	1	R2	0E
10	1	R3	300K
11	1	R4	100K
12	1	U1	LM2623/SO

