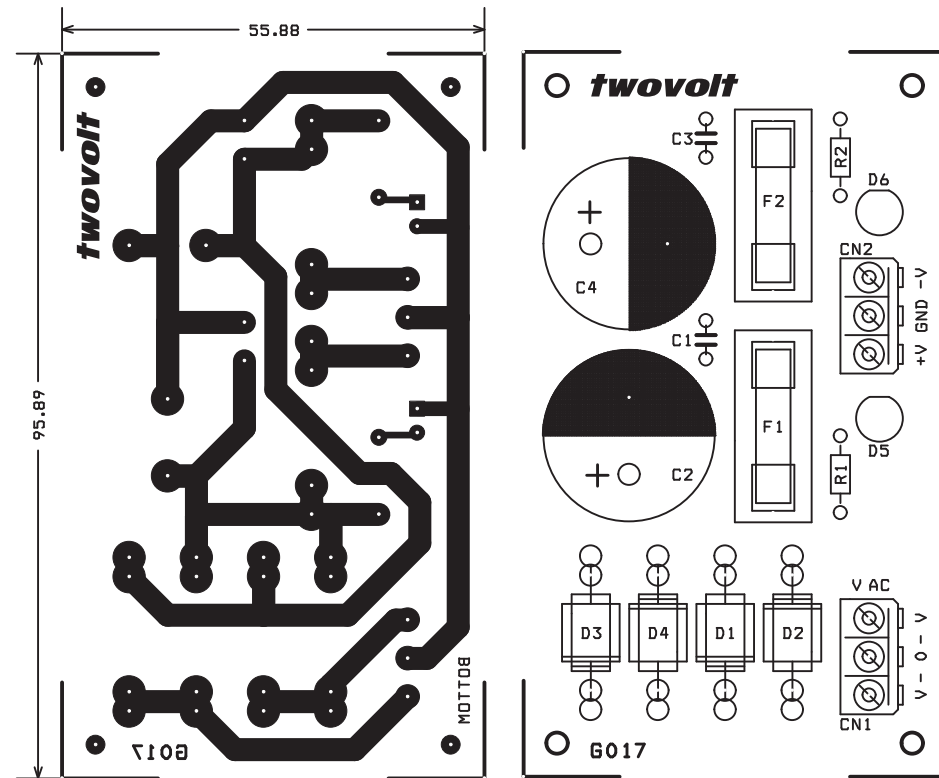
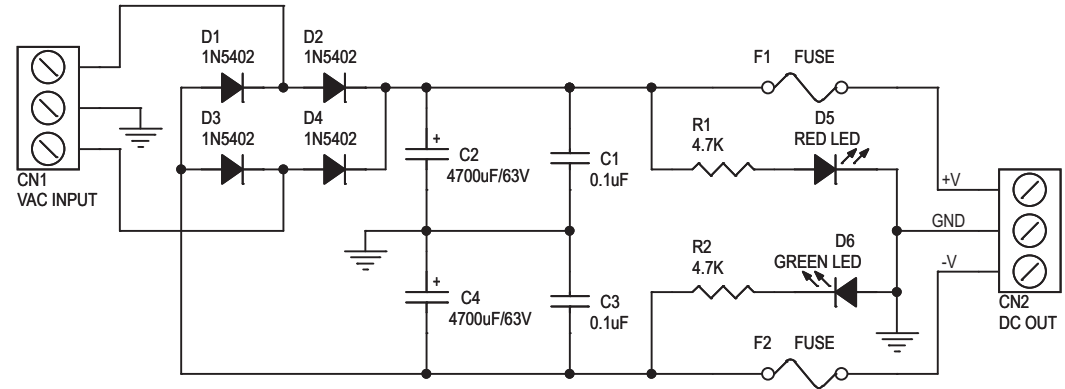


## DUAL UNREGULATED POWER SUPPLY +/-60V 3AMPS

This project will source Dual Unregulated Power Supply for your project.  
Ideal for Audio amplifier, Mixer design etc.

- Input : maximum 48-0-48 VAC, 3 A
- Output : maximum dual output  $\pm 60$  VDC from center tap transformer
- Bridge rectifier made of discrete 3 A diodes
- LED indication for both the outputs
- Fuse short circuit protection for both the outputs
- Power Battery Terminal (PBT) for easy input and output connection
- Filter capacitors for near ripple free DC output
- Four mounting holes of 3.2 mm each
- PCB dimensions 96 mm x 56 mm



SR.	QTY.	REF.	DESCRIPTION
1	1	CN1	3 PIN PBT CONNECTOR
2	1	CN2	3 PIN PBT CONNECTOR
3	2	C1,C3	0.1uF
4	2	C2,C4	4700uF/63V SNAP-IN
5	4	D1,D2,D3,D4	1N5402
6	1	D5	RED LED
7	1	D6	GREEN LED
8	2	F1,F2	FUSE HOLDER WITH 3A FUSE
9	2	R1,R2	4.7K

