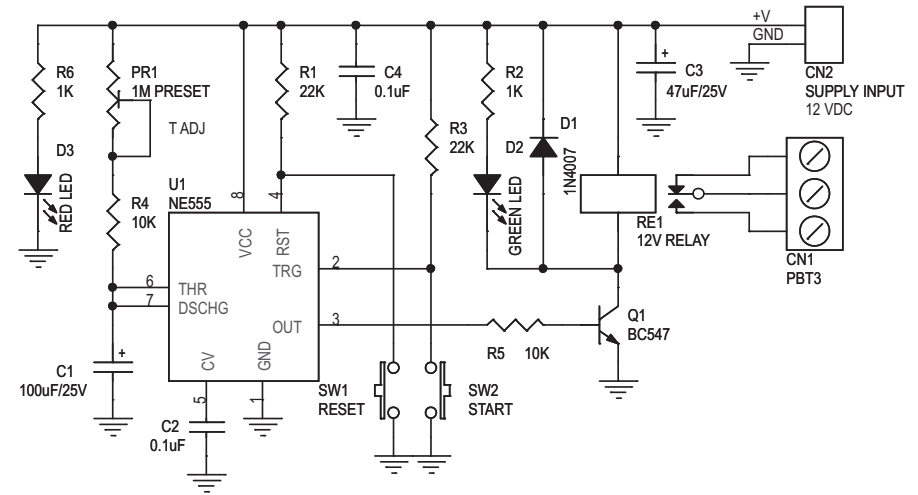


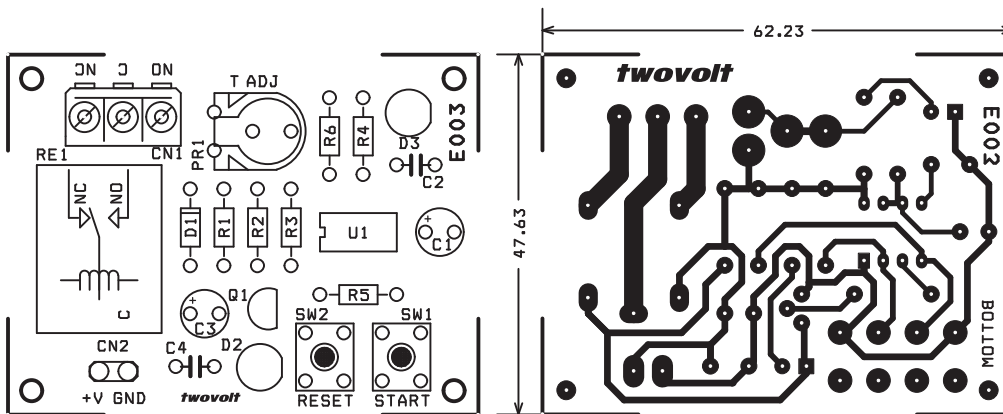
1 SEC TO 100 SEC TIMER

1 Sec To 100 Sec Timer project can be used for all application requiring a delay of upto 100 Seconds. The project is built around the famous 555 timer IC.

- Supply input 12 VDC @ 100 mA
- Onboard start and reset tactile switch
- Relay output : SPDT relay
- Relay specification : 5 A @ 250 VAC
- Relay state LED indicator
- Preset adjustable range function
- Power-On LED indicator
- Screw terminal connector for easy relay output connection
- Four mounting holes of 3.2 mm each
- PCB dimensions 48 mm x 63 mm



SW1 Switch : Reset Switch
 SW2 Switch : Timer Start Switch
 PR1 Preset : Timing Period Adjust 1 sec to 100 sec
 D3 LED : Power Indication
 D2 LED : Timer Start Indication



SR.	QTY.	REF.	DESCRIPTION
1	1	CN1	3 SCREW TERMINAL CONNECTOR
2	1	CN2	2 PCB PINS
3	1	C1	100uF/25V
4	2	C2,C4	0.1uF
5	1	C3	47uF/25V
6	1	D1	1N4007
7	1	D2	GREEN LED
8	1	D3	RED LED
9	1	PR1	1M PRESET
10	1	Q1	BC547
11	1	RE1	12V RELAY
12	2	R1,R3	22K
13	2	R2,R6	1K
14	2	R4,R5	10K
15	1	SW1	TACT SWITCH
16	1	SW2	TACT SWITCH
17	1	U1	NE555
18	1	SOCKET	8 PIN DIP IC SOCKET

