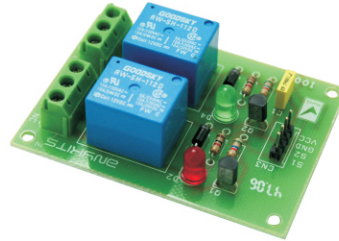


DUAL CHANNEL RELAY BOARD

Dual Channel Relay Board is a simple and convenient way to interface 2 relays for switching application in your project.

- Input : 12 VDC @ 84 mA
- Output : Two SPDT relay
- Relay specification : 5 A @ 230 VAC
- Trigger level : 2 to 5 VDC
- Berg pins for connecting power and trigger voltage
- LED on each channel indicates relay status
- Power Battery Terminal (PBT) for easy relay output connection
- Four mounting holes of 3.2 mm each
- PCB dimensions 49 mm x 68 mm

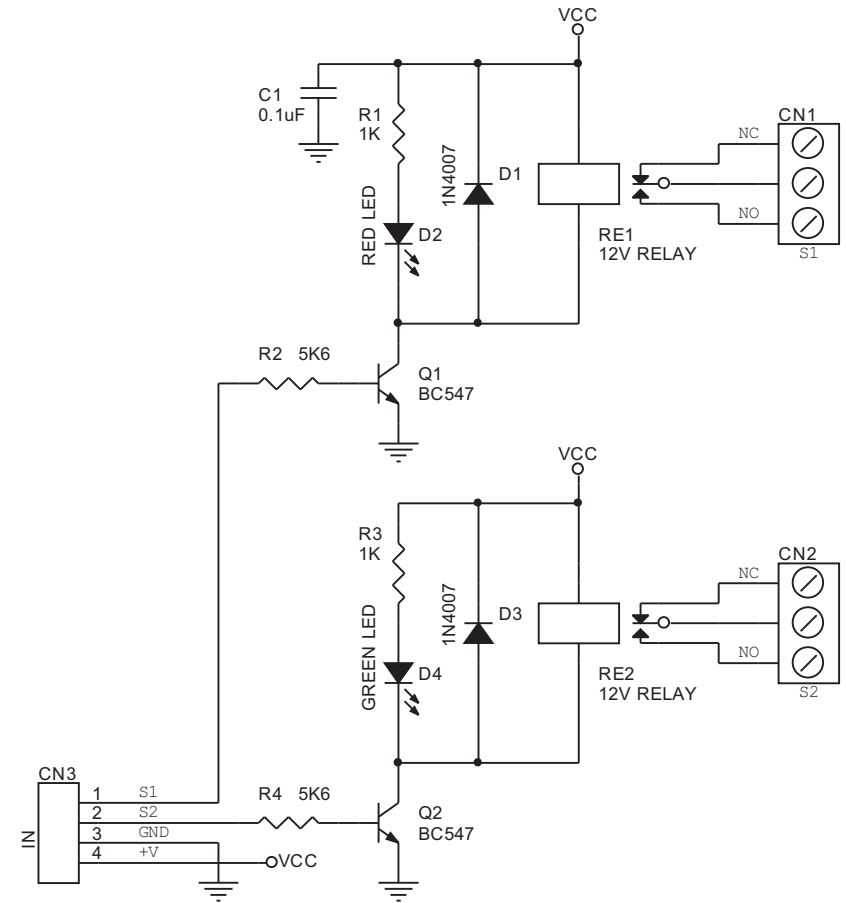
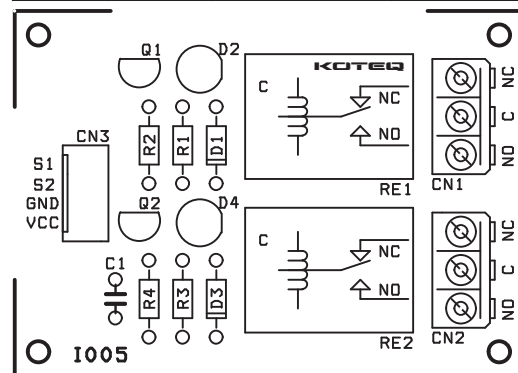


Load (Contact Capacity of Relay) :

- 5 A @ 230-250 VAC
- 10 A @ 110 VAC
- 10 A @ 12/24 VDC

CN1 Connector : Relay1 (S1) Out Normally Open/ Normally Close
 CN2 Connector : Relay2 (S2) Out Normally Open/ Normally Close
 CN3 Connector : Control Signal Input and Power Supply Input
 D2,D3 : Relay On/Off LED Indication

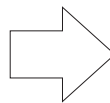
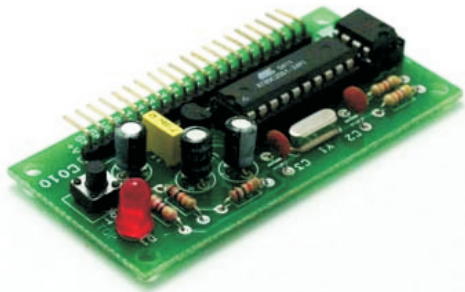
SR.	QTY.	REF.	DESCRIPTION
1	2	CN1,CN2	3 PIN PBT CONNECTOR
2	1	CN3	3 PIN BERG CONNECTOR
3	1	C1	0.1uF
4	2	D1,D3	1N4007
5	1	D2	RED LED
6	1	D4	GREEN LED
7	2	Q1,Q2	BC547
8	2	RE1,RE2	12V RELAY
9	2	R1,R3	1K
10	2	R2,R4	5K6



DUAL CHANNEL RELAY BOARD

Wiring Daigram

Micro-controller Board
Controller Board
Remote Receiver



Trigger Voltage 2-5V 10mA

