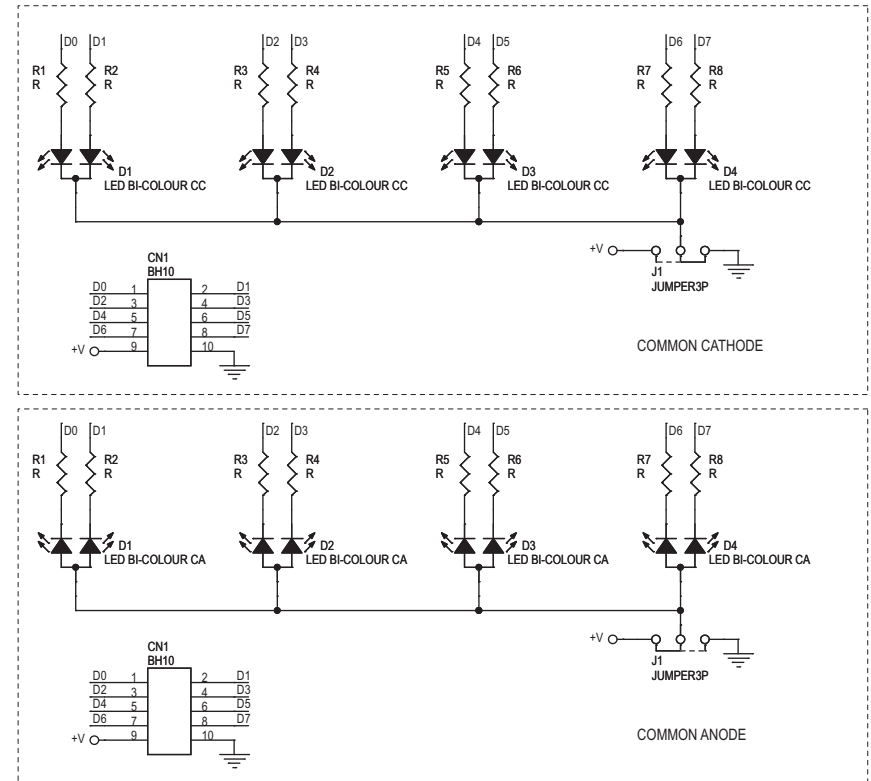
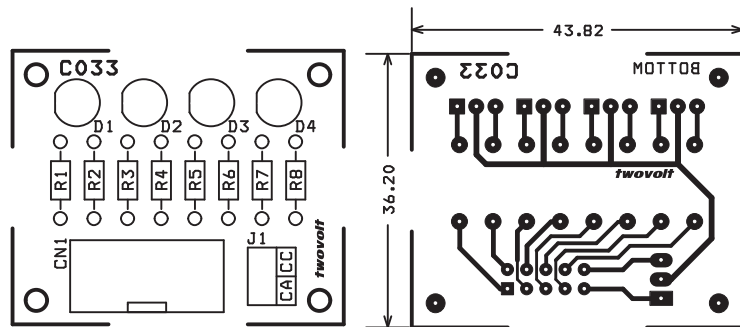


## 4 BI-COLOUR LED BOARD

4 Bi-Colour LED board provides a simple visual indication to any application which you may require.

- Interfacing via box header type connector
- Jumper selectable common anode or common cathode mode
- Four mounting holes of 3.2 mm each
- PCB dimensions 44 mm x 37 mm



SR.	QTY.	REF.	DESCRIPTION
1	1	CN1	10 PIN BOX HEADER CONNECTOR
2	4	D1,D2,D3,D4	LED BI-COLOUR CC
3	1	J1	3 PIN JUMPER WITH CLOSER
4	8	R1,R2,R3,R4,R5,R6,R7,R8	470E

