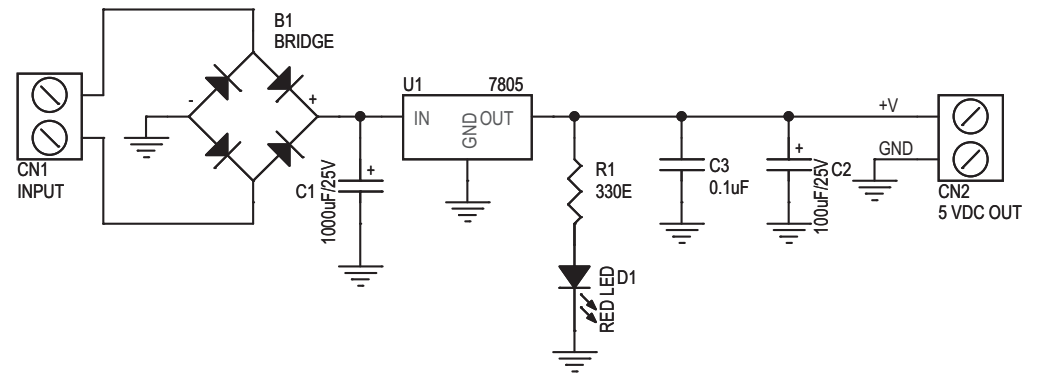
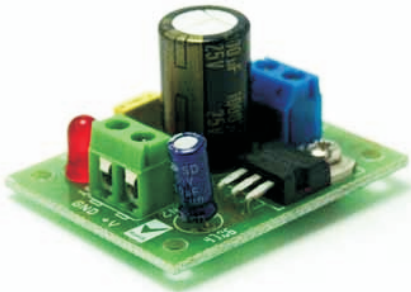


## 5V/700mA REGULATED POWER SUPPLY

This project will provide 5 V @ 700 Amp DC Regulated Supply. The project is based on the Lm7805 voltage regulator in TO220

- Input 7 - 15 VAC
- Output 5 V @ 1 A peak (700 mA ideal) regulated low ripple DC voltage
- Onboard bridge rectifier to convert AC to DC
- Thermal overload/short circuit protection (provided by IC feature)
- Screw terminal connector for easy input and output connection
- Filter capacitors for low ripple DC output
- LED indication for output
- Four mounting holes of 3.2 mm each
- PCB dimensions 35 mm x 45 mm



CN1 Connector : Input Supply 7 - 15 VAC or 9 - 18 VDC  
CN2 Connector : 5 V Regulated Output  
D1 : Output LED indication

SR.	QTY.	REF.	DESCRIPTION
1	1	B1	W04/W06/W08 BRIDGE RECTIFIER
2	1	CN1	2 PIN SCREW TERMINAL CONNECTOR
3	1	CN2	2 PIN SCREW TERMINAL CONNECTOR
4	1	C1	1000uF/25V
5	1	C2	100uF/25V
6	1	C3	0.1uF
7	1	D1	RED LED
8	1	R1	330E
9	1	U1	7805
10	1	SCREW	SC02905
11	1	NUT	NT02900

