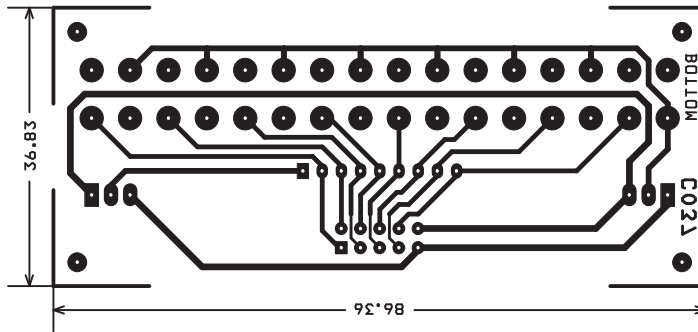
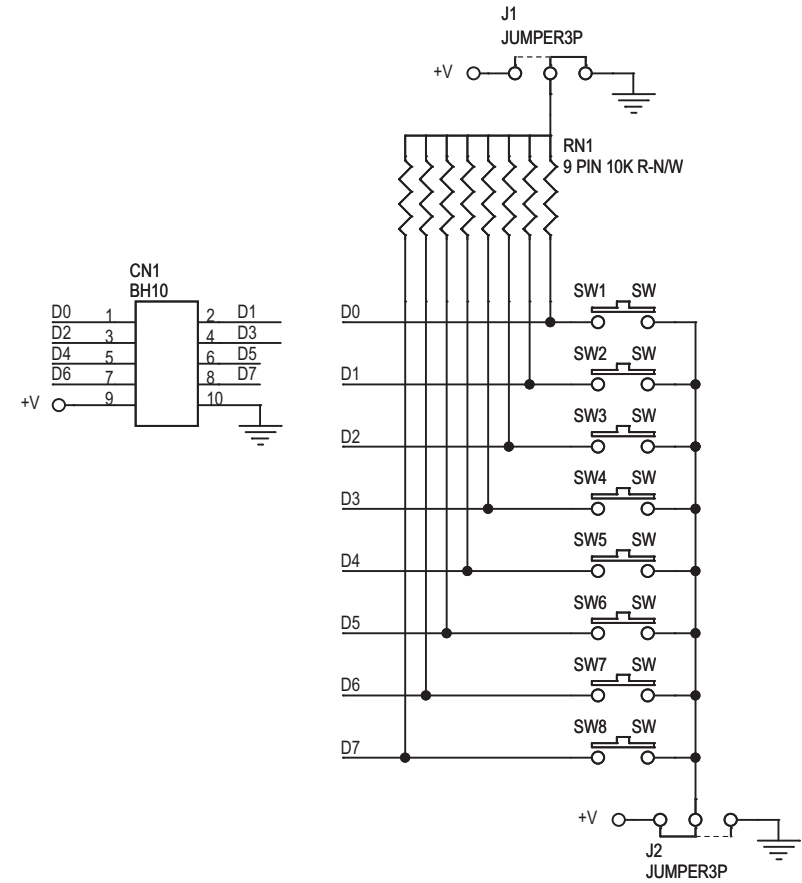
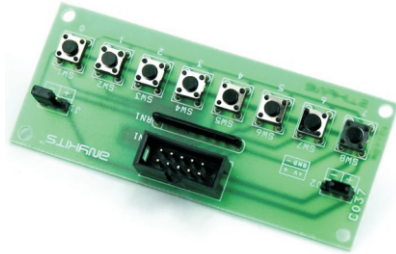


## 8 TACTILE SWITCH INPUT BOARD

8 Tactile Switch Input Board is a simple PCB offering an easy connection of a standard 10-pin Box Header connector to 8 small type Tactile Switch with a jumper selectable pull-up / pull-down of resistor network connected in parallel.

PCB dimensions 37 mm x 87 mm



SR.	QTY.	REF.	DESCRIPTION
1	1	CN1	10 PIN BOX HEADER CONNECTOR
2	2	J1,J2	3 PIN JUMPER WITH CLOSER
3	1	RN1	9 PIN 10K R-N/W
4	8	SW1,SW2,SW3,SW4,SW5,SW6,SW7,SW8	TACT SWITCH

