

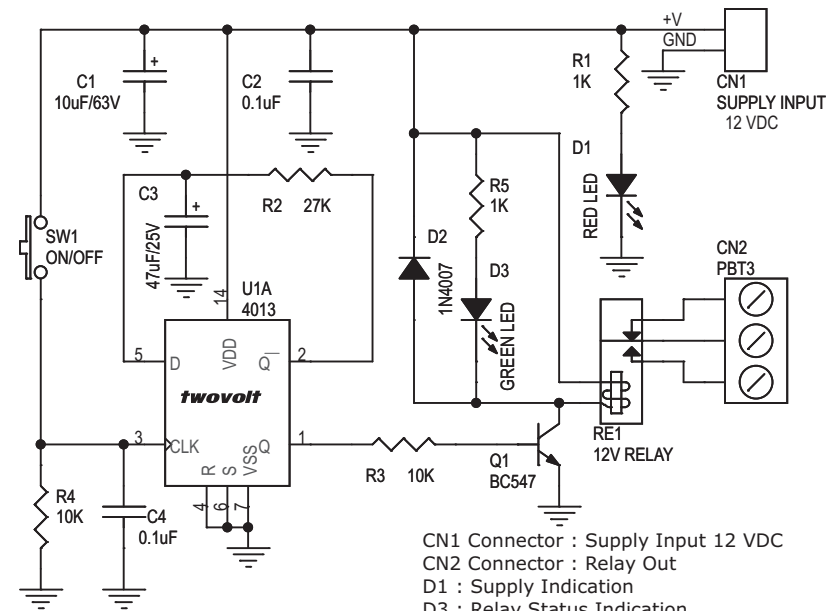
## ELECTRONIC TOGGLE SWITCH

Electronic Toggle Switch project can be used for switching On/Off application of home appliances like fan, light etc.

- Supply input 12 VDC
- Onboard ON/OFF switch
- Relay output SPDT relay
- Relay specification 5 A @ 250 VAC
- Relay state LED indicator
- Power-On LED indicator
- Screw terminal connector for easy relay output connection
- Terminal pins for supply input connection
- Four mounting holes of 3.2 mm each
- PCB dimensions 46 mm x 58 mm



SR.	QTY.	REF.	DESCRIPTION
1	1	CN1	2 PCB PINS
2	1	CN2	3 PIN SCREW TERMINAL CONNECTOR
3	1	C1	10uF/63V OR 50V
4	2	C2,C4	0.1uF
5	1	C3	47uF/25V
6	1	D1	RED LED
7	1	D2	1N4007
8	1	D3	GREEN LED
9	1	Q1	BC547
10	1	RE1	12V RELAY
11	2	R1,R5	1K
12	1	R2	27K
13	2	R3,R4	10K
14	1	SW1	TACT SWITCH BIG
15	1	U1	4013
16	1	SOCKET	14 PIN DIP IC SOCKET



CN1 Connector : Supply Input 12 VDC  
 CN2 Connector : Relay Out  
 D1 : Supply Indication  
 D3 : Relay Status Indication  
 SW1 (A) : Tactile Switch

