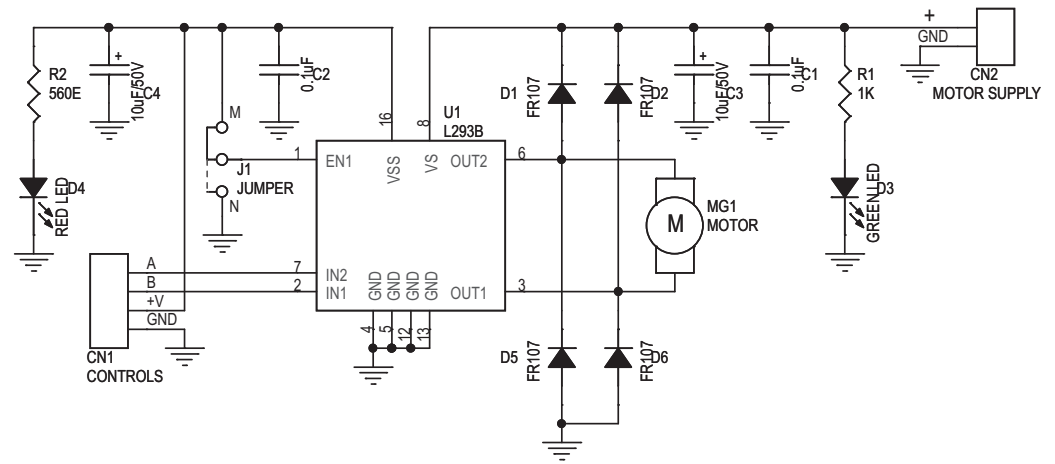


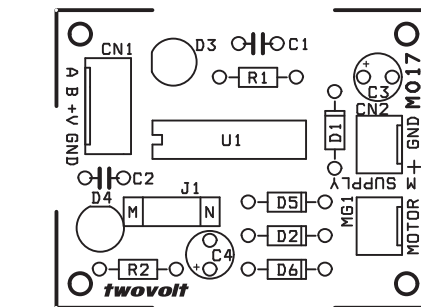
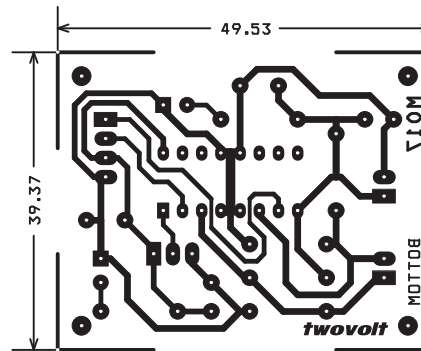
L293 H-BRIDGE DC MOTOR CONTROLLER

L293 H-Bridge DC Motor Controller project is a simple board to control motors upto 1 A load.

- Motor supply : upto 36 VDC
- Control logic supply : Standard TTL /CMOS logic level
- Output DC drive to motor upto 1 A
- Direction control pins available
- Jumper selectable enable pin
- External diode bridge provided for output
- Power-On LED indicator for both supplies
- Relimate/Berg connector for easy connection of input (PWR) / output (Motor)
- PCB dimensions 40 mm x 50 mm



- CN1 Connector : Control Input and Logic Supply 5 VDC
- CN2 Connector : Motor Supply
- MG1 Connector : DC Motor 1 A Load (Max)
- D4 : Logic supply indication
- D3 : Motor supply indication
- J1 : Motor Enable



SR.	QTY.	REF.	DESCRIPTION
1	1	CN1	4 PIN RELIMATE/BERG CONNECTOR
2	1	CN2	2 PIN RELIMATE/BERG CONNECTOR
3	2	C1,C2	0.1uF
4	2	C3,C4	10uF/50V
5	4	D1,D2,D5,D6	FR107
6	1	D3	GREEN LED
7	1	D4	RED LED
8	1	J1	3 PIN JUMPER WITH CLOSER
9	1	MG1	2 PIN RELIMATE/BERG CONNECTOR
10	1	R1	1K
11	1	R2	560E
12	1	U1	L293B/SN754410
13	1	SOCKET	16 PIN DIP IC SOCKET

CN1 Connector

Pin No.	Description
Pin 1 - A	A Logic IN
Pin 2 - B	B Logic IN
Pin 3 - +V	5 VDC IN
Pin 4 - GND	Ground

Truth Table

A	B	Function
H	L	Turn CW
L	H	Turn CCW
H	H	Fast Motor Stop
L	L	Fast Motor Stop
X	X	Free Running Motor Stop

- H - Logic High
- L - Logic Low
- X - Don't Care

