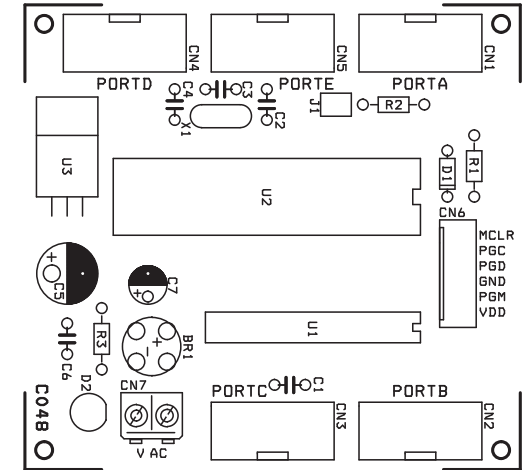
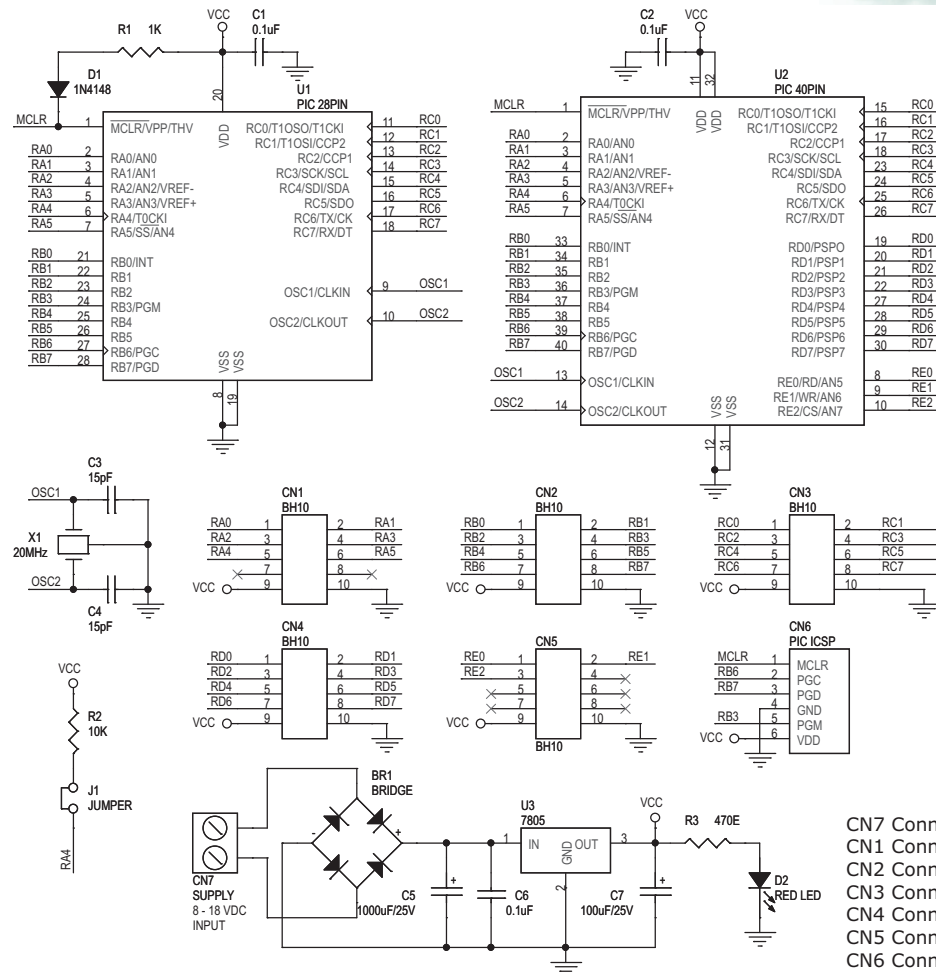
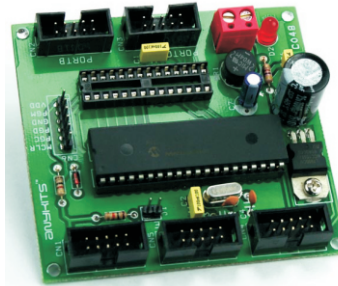


# PIC16F 28/40-PIN DEVELOPMENT BOARD

PIC16F 28/40-pin Development Board will help you with your prototyping requirement with any of Microchip's 28/40-pin of 16F PIC microcontrollers.

- All ports terminating in separate box header connector with 5 VDC source option
- ICSP connector for programming for the PIC's with ICD support
- Jumper selectable onboard pull-up resistor for Port A.4 pin on the microcontroller
- Bridge in the input provides any polarity DC supply connection to the board
- 20 MHz crystal source
- Onboard +5V voltage regulator
- Four mounting holes of 3.2 mm each
- PCB dimensions 77 mm x 82 mm



SR.	QTY.	REF.	DESCRIPTION
1	1	BR1	W04/W06/W08 BRIDGE RECTIFIER
2	5	CN1,CN2,CN3,CN4,CN5	10 PIN BOX HEADER CONNECTOR
3	1	CN6	6 PIN BERG CONNECTOR
4	1	CN7	2 PIN SCREW TERMINAL CONNECTOR
5	3	C1,C2,C6	0.1uF
6	2	C3,C4	15pF
7	1	C5	1000uF/25V
8	1	C7	100uF/25V
9	1	D1	1N4148
10	1	D2	RED LED
11	1	J1	2 PIN JUMPER WITH CLOSER
12	1	R1	1K
13	1	R2	10K
14	1	R3	470E
15	1	U1	28-N PIN DIP IC SOCKET
16	1	U2	PIC16F877A
17	1	U3	7805
18	1	X1	20MHz CRYSTAL
19	1	SOCKET	40 PIN DIP IC SOCKET
20	1	SCREW	SC02905
21	1	NUT	NT02900

CN7 Connector : Supply Input 8 - 18 VDC  
 CN1 Connector : Port A  
 CN2 Connector : Port B  
 CN3 Connector : Port C  
 CN4 Connector : Port D  
 CN5 Connector : Port E  
 CN6 Connector : PIC ICSP Connector



# PIC16F 28/40-PIN DEVELOPMENT BOARD

