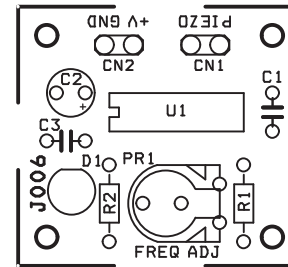
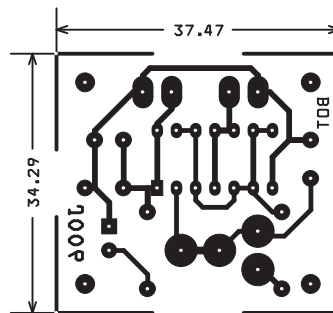
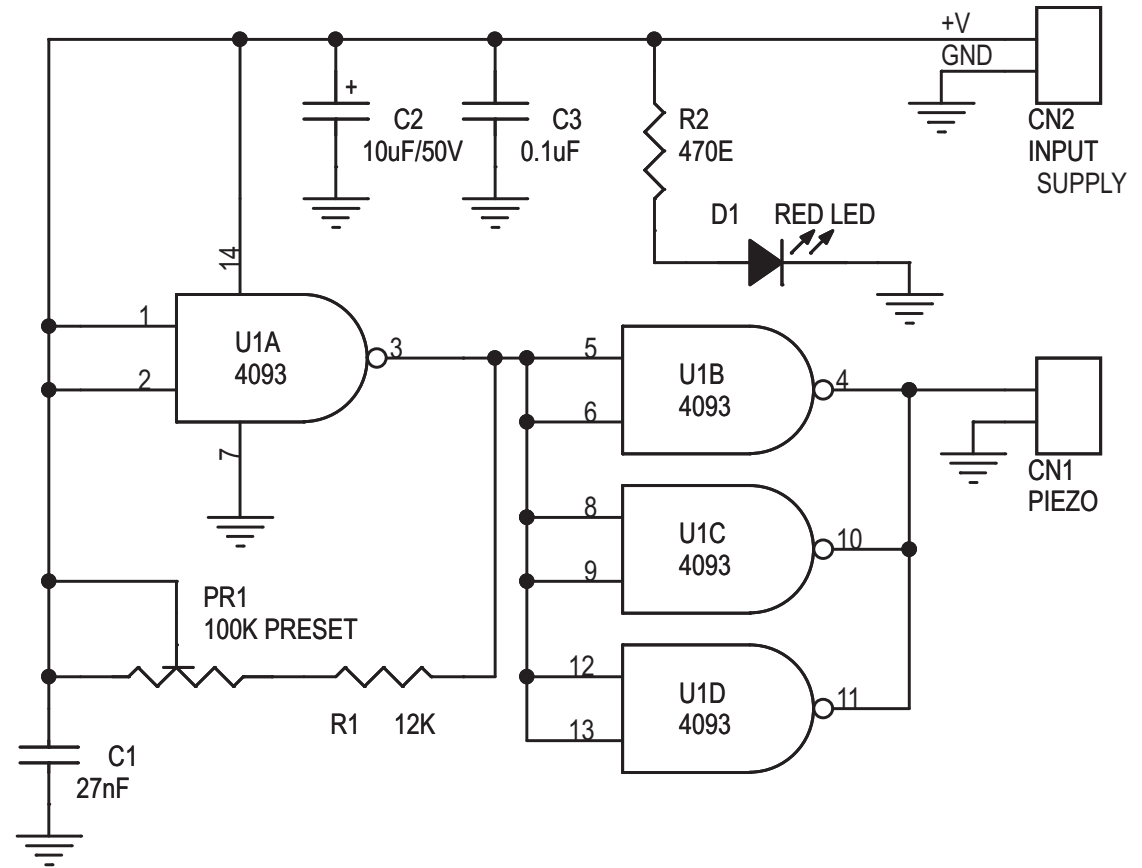
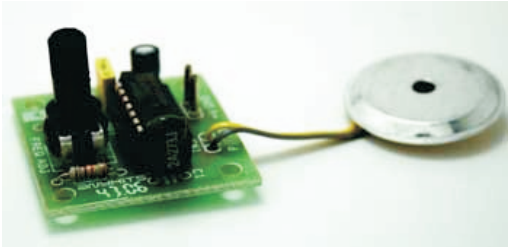


TO NE GENERATOR

Tone Generator is a simple kit which generates an Oscillating Frequency to drive a PIEZO disc to produce tones.

- Input : 6 to 12 VDC @ 30 mA
- Output Frequency Range 800 Hz to 7.5 KHz
- Onboard preset to change Frequency / Tone sound
- Terminal pins for connecting power supply
- Four mounting holes of 3.2 mm each
- PCB dimensions 35 mm x 38 mm



SR.	QTY.	REF.	DESCRIPTION
1	1	CN1	PIEZO WITH WIRE
2	1	CN2	2 PCB PINS
3	1	C1	27nF
4	1	C2	10uF/50V OR 63V
5	1	C3	0.1uF
6	1	D1	RED LED
7	1	PR1	100K PRESET
8	1	R1	12K
9	1	R2	470E
10	1	U1	4093
11	1	SOCKET	14 PIN DIP IC SOCKET

