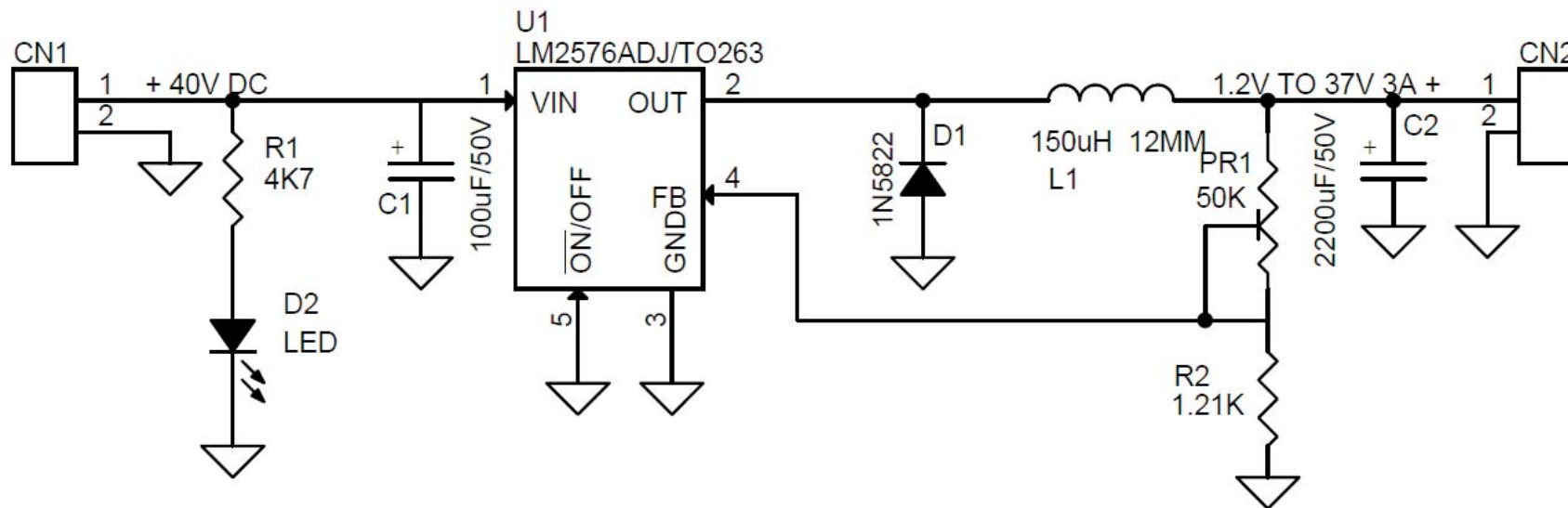


1.2V To 37V 3Amps Adjustable DC-DC Converter Power Supply using LM2576ADJ

The board built around LM2576-ADJ from Texas instruments. A 3.0 A output current capability power supply that features an adjustable output voltage, This regulator board delivers 3Amp current and voltage range 1.23V to 37V, with input voltage 40 V. In order to achieve a 10 or more times reduction of output ripple.

Features

- Output 1.2 to 37 VDC @ 3 A
- Input Supply 40V DC
- Onboard Trim potentiometer for output voltage adjust
- On Board Power LED
- Header Connector For Input & Output



BOM			
SR.	QNTY.	REF.	DESC.
1	2	CN1,CN2	2 PIN HEADER CONNECTOR
2	1	C1	100uF/50V
3	1	C2	2200uF/50V
4	1	D1	1N5822
5	1	D2	LED SMD 1206
6	1	L1	150uH SMD 12MM
7	1	PR1	50K TRIMPOT
8	1	R1	4K7 SMD 1206
9	1	R2	1.21K SMD 1206
10	1	U1	LM2576ADJ/TO263

