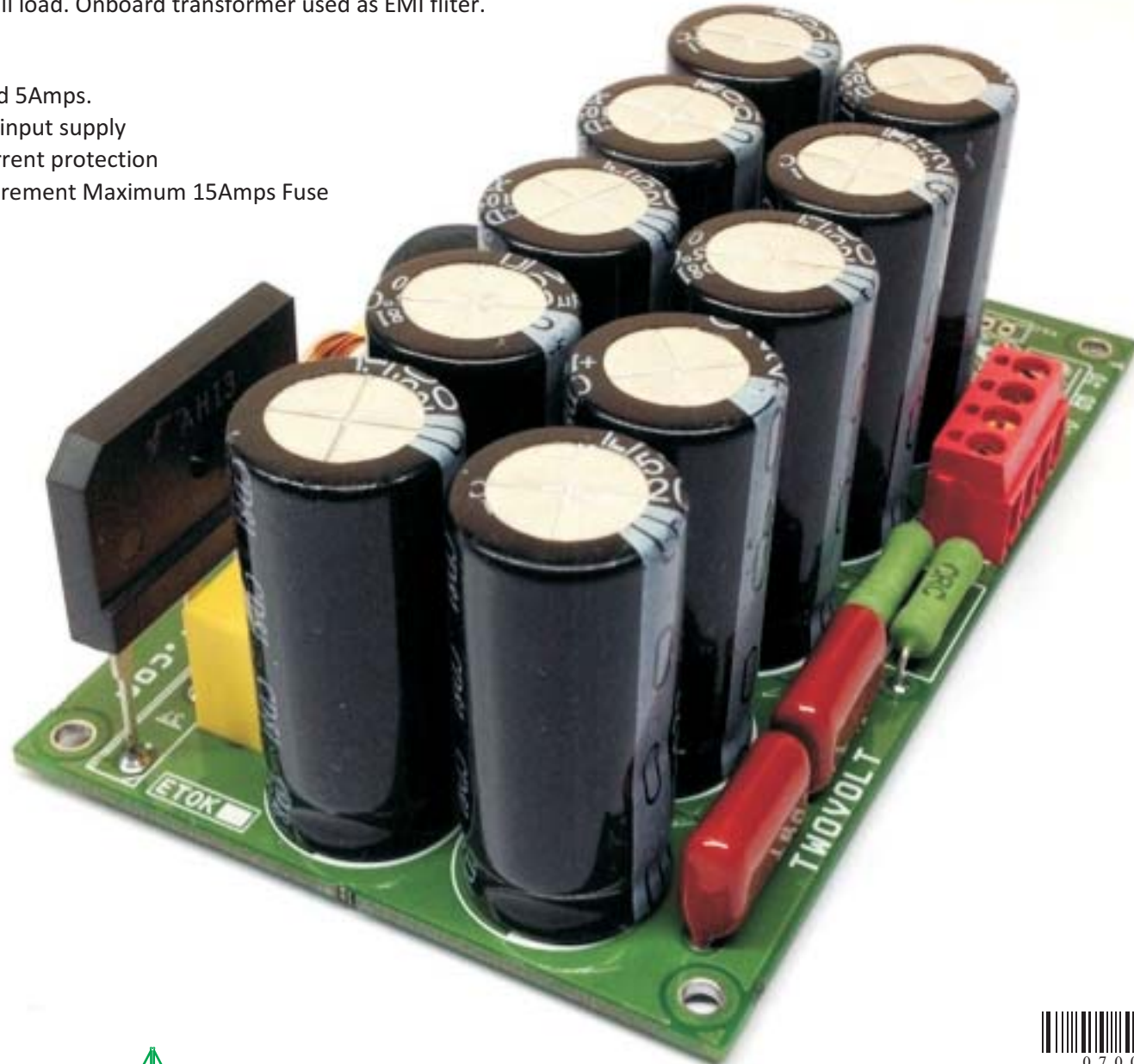
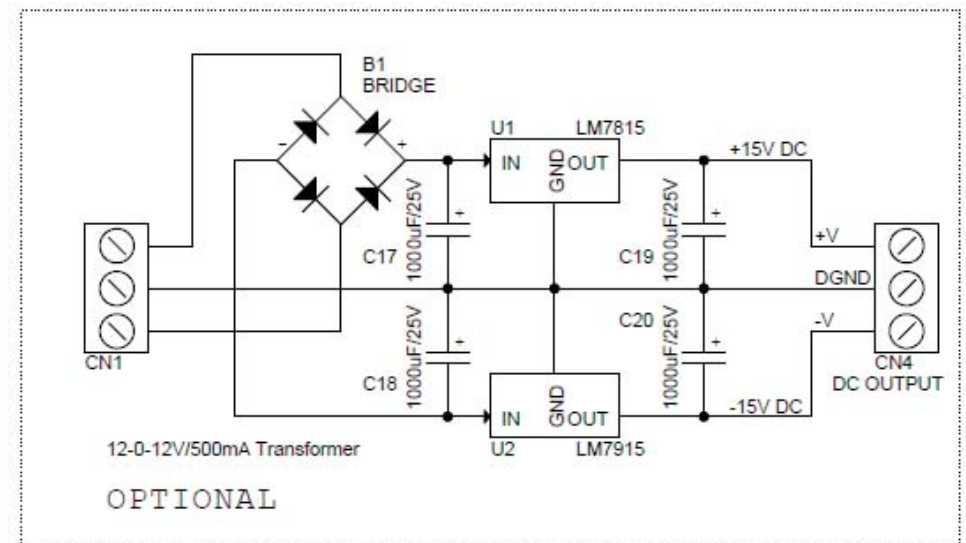
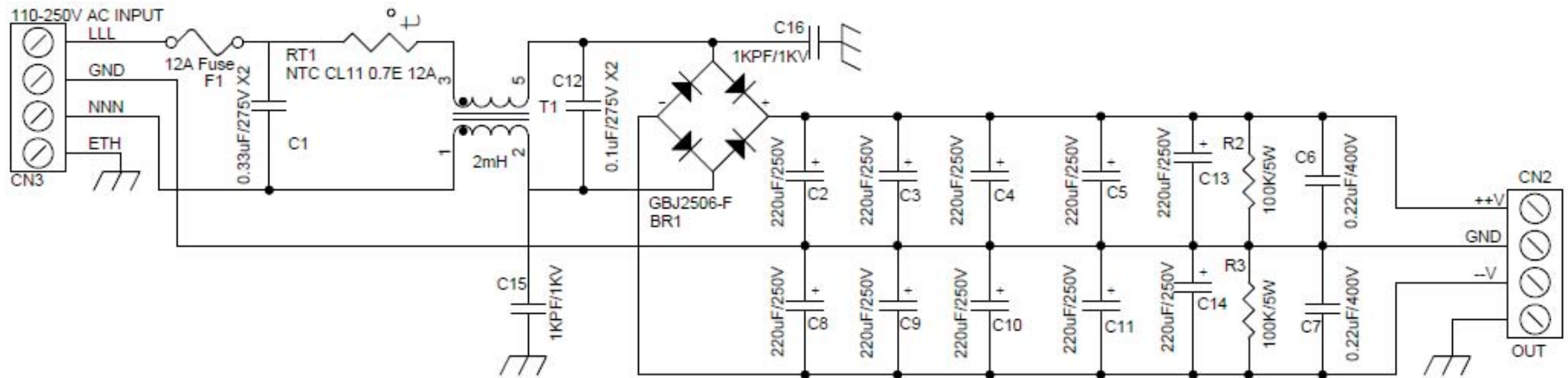


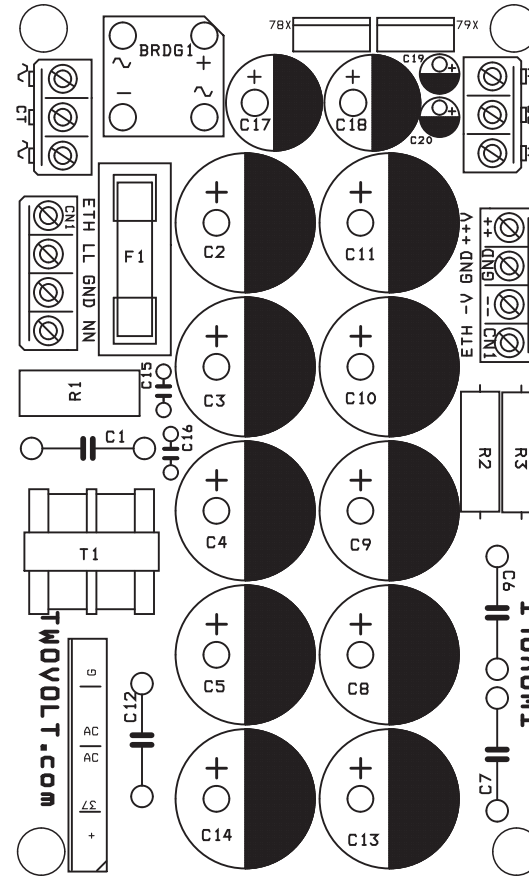
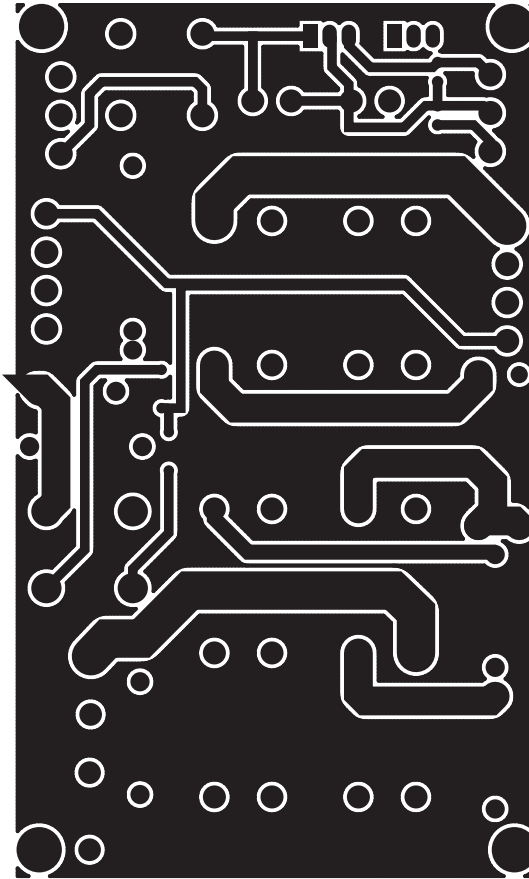
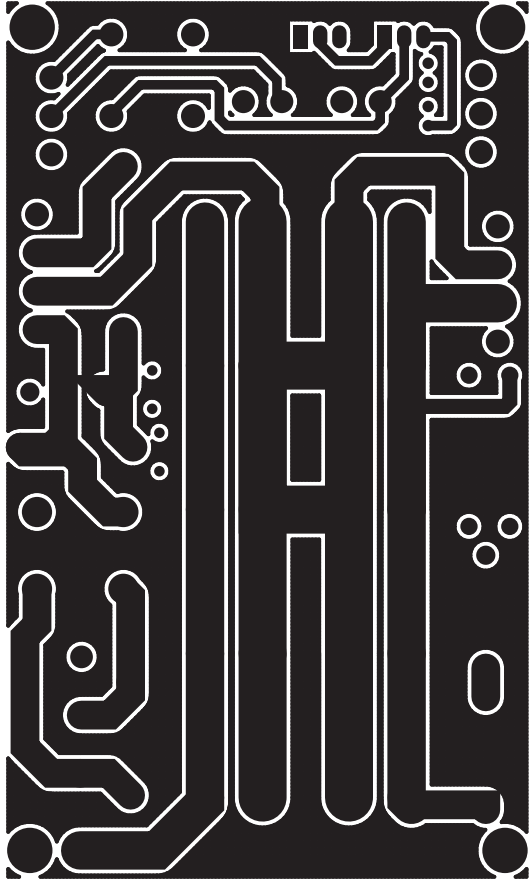
DC Power Supply for High-voltage Device up to 400V DC 10Amps

The power supply circuit published here is intended to use to power up the AC servo driver, brushless dc motor driver, IPM (Intelligent Power Module), high voltage DC brushed motor drivers and various other circuit required high voltage DC supply. Capacitor has been selected for AC power input up to 250V AC however capacitor voltage and value can be altered as per DC output required. Bridge rectifier can handle current up to 25Amps and need large heat sink for full load. Onboard transformer used as EMI filter.

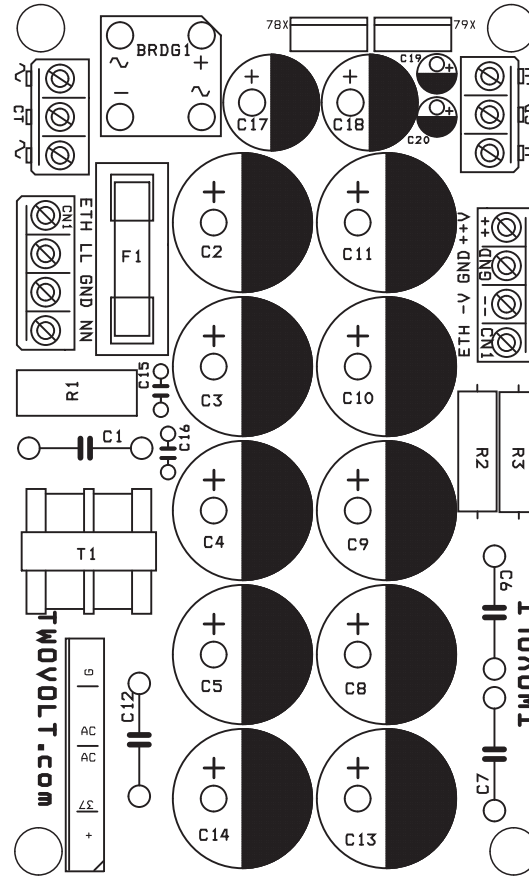
- AC Supply input up to 250V V AC
- Maximum DC Output 400V DC and 5Amps.
- DC Supply Output will depend on input supply
- Fuse for Short circuit and over current protection
- Fuse as per your application requirement Maximum 15Amps Fuse
- NTC provided for inrush current
- DC Bus has bleeding resistor







0 7 0 0 5



0 7 0 0 5