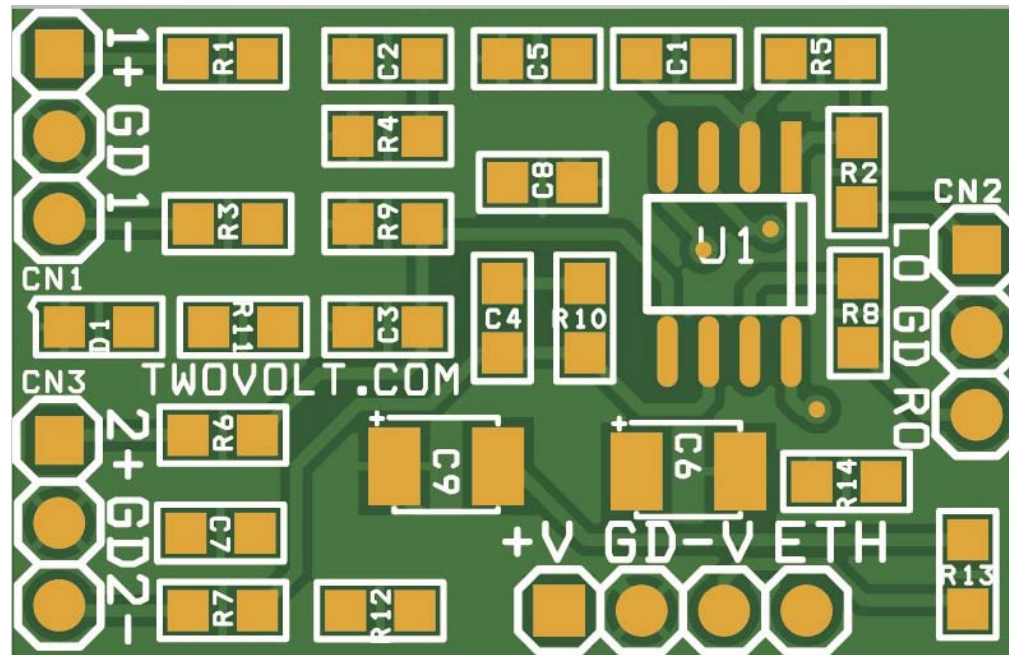


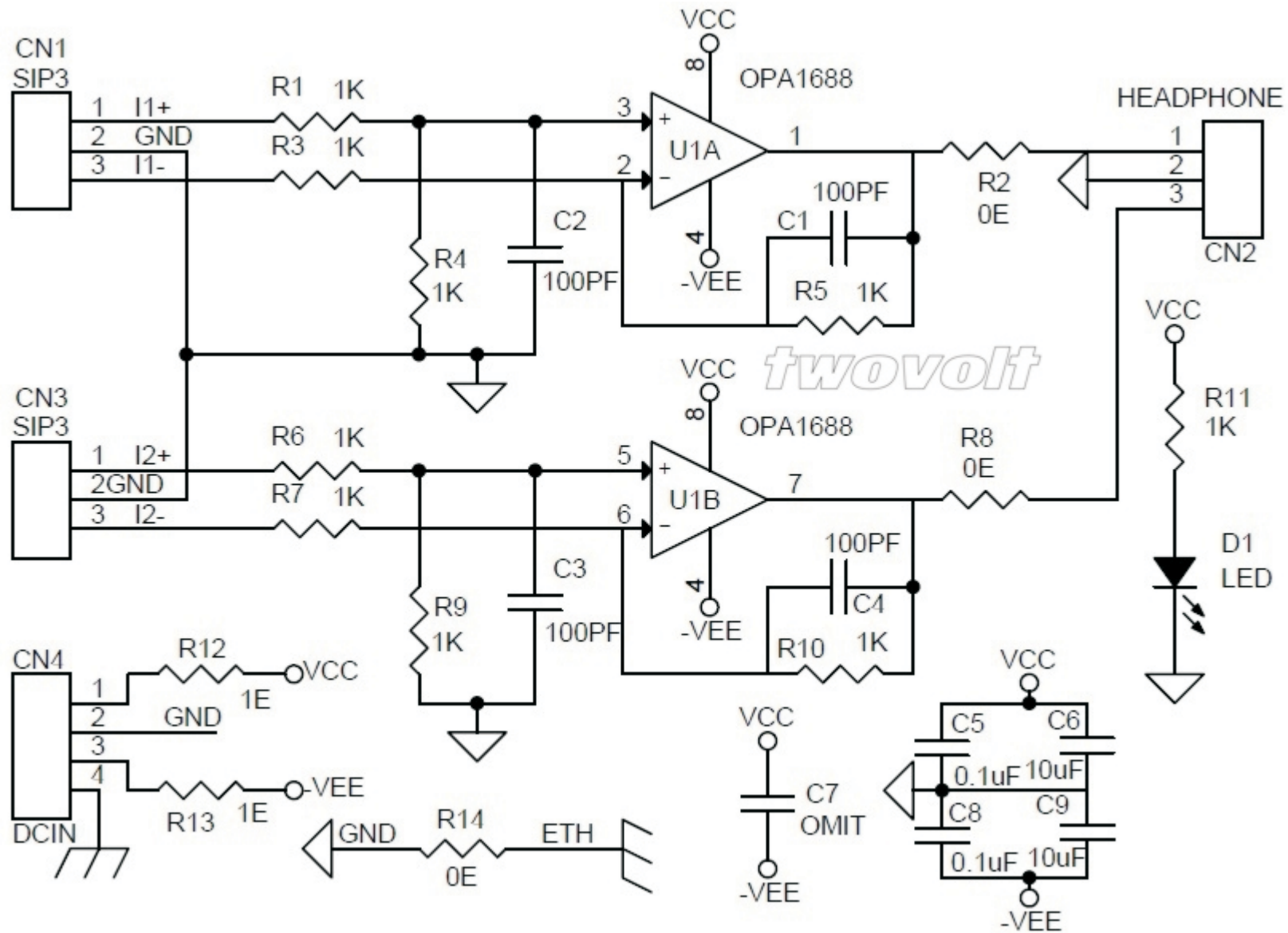
Hi-End Stereo Headphone Amplifier for Differential Signal for DACs

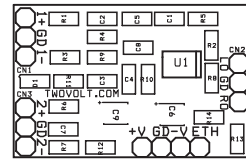
Simple stereo headphone amplifier for audio DACs required differential signal. The circuit works with dual +/-5V DC supply, project can drive load 16 Ohms to 600 Ohms. Headphone amplifier provides output 50mW into 32 Ohms. Signal for the right channel and left channel input are applied to the amplifier through connectors CN1 and CN3, respectively. The source such as an audio analyzer or audio digital-to-analog converts (DAC). The positive input from the source connects to the pin labeled I1+/I2+, the negative input from the source connects to the pin labeled I1-/I2-, and the ground connection from the source connects to the center pin of CN1 and CN3, labeled GND. Output connections are provided through the use of the CN2, CN4 provided to power up the board, D1 power LED.

Features

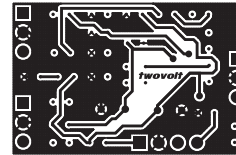
- Supply Input +/-5V DC
- Load 16 Ohms to 600 Ohms (32 Ohms Ideal)
- Output Load 50mW into 32 Ohms Headphone
- Frequency Response 20 Hz to 20 KHz



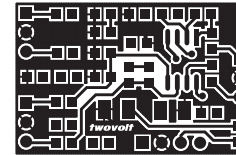




Silk Screen Top



Bottom Layer



Top Layer



0 7 0 0 5