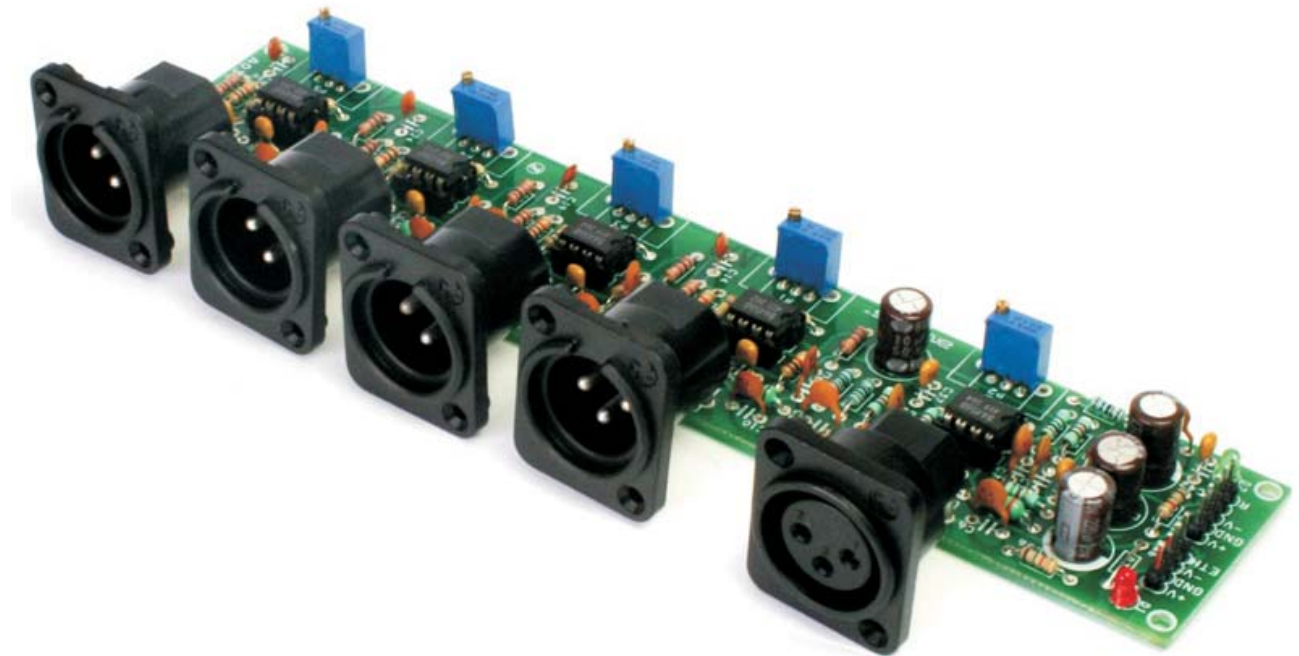


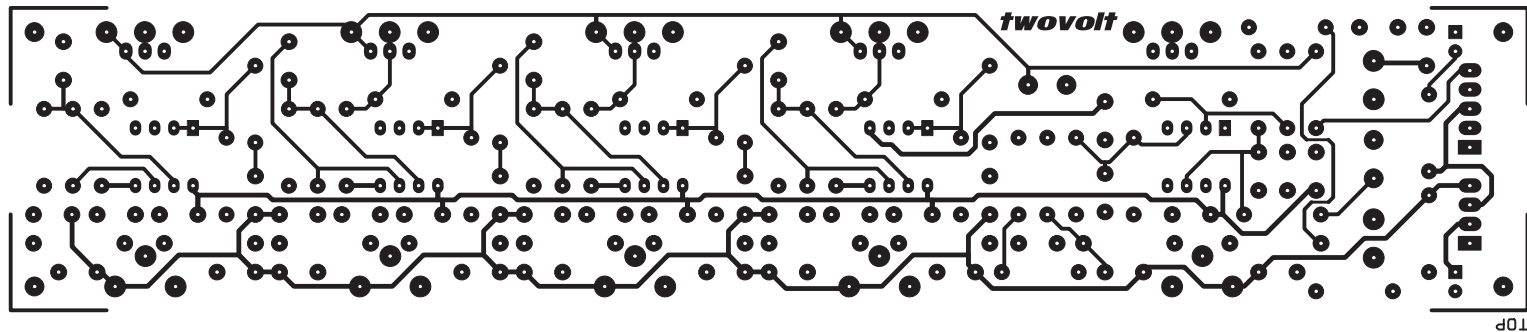
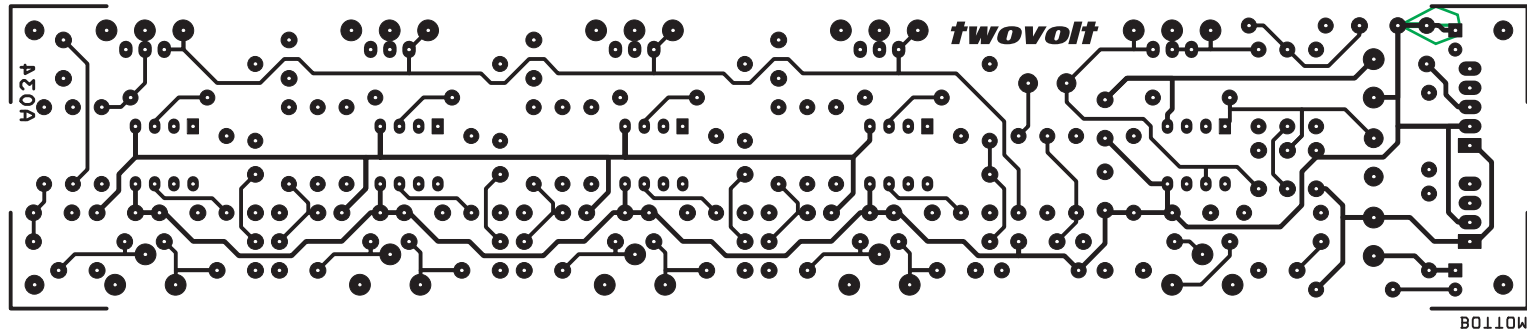
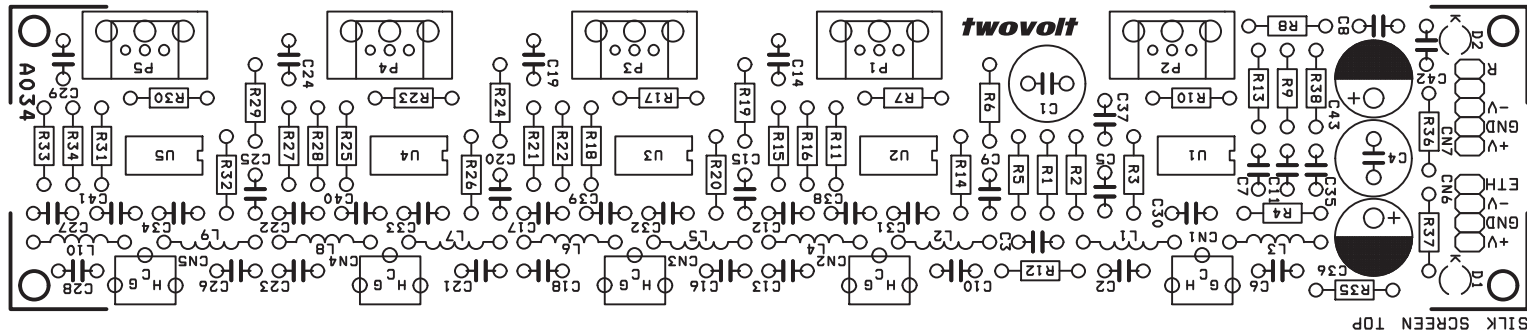
BALANCED 4 CHANNEL AUDIO DISTRIBUTION AMPLIFIER

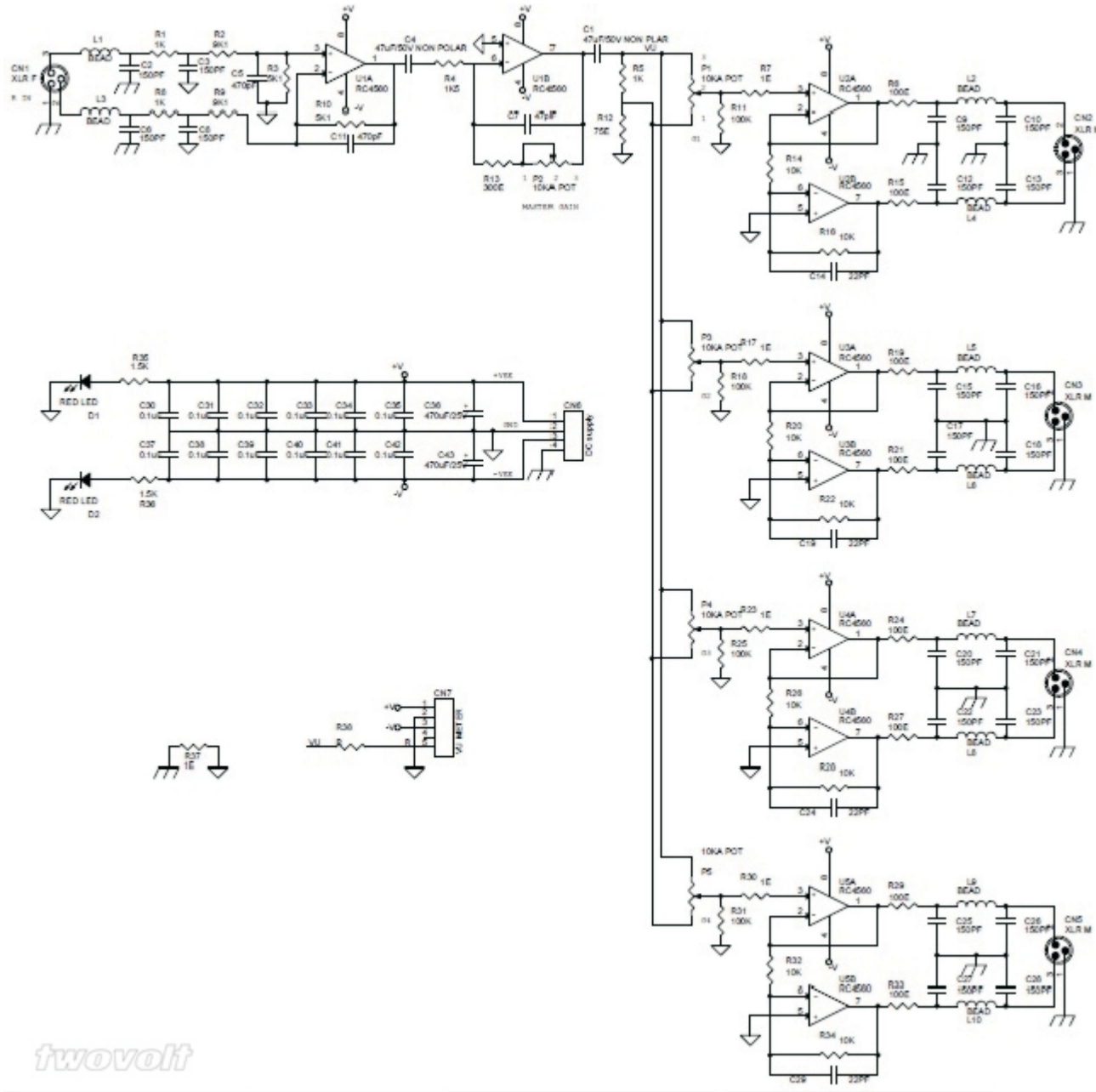
Circuit described here is a four channel audio distribution amplifier. The input and all four outputs may be connected through the XLR jacks. The input accepts a balanced. Each of the four outputs provides line level balanced signal. On board Trimport provided to adjust the gain of each output channel and also Master gain adjust for input signal, Trim-pot can be replaced with 16mm Potentiometer, circuit required dual15 V DC supply (+/-15V DC). Circuit designed using low noise BA4560 Op-amps from ROHM.

Features

- Supply +/-15V DC (Dual 15V DC)
- 4 Balanced Outputs Male XLR Connectors
- 1 Balanced Input Female XLR Connector
- 4 Trimmer-Pots (Output Gain Adjust)
- 1 Trimmer-Pot (Master Input Gain Adjust)







twovolt



0 7 0 0 5