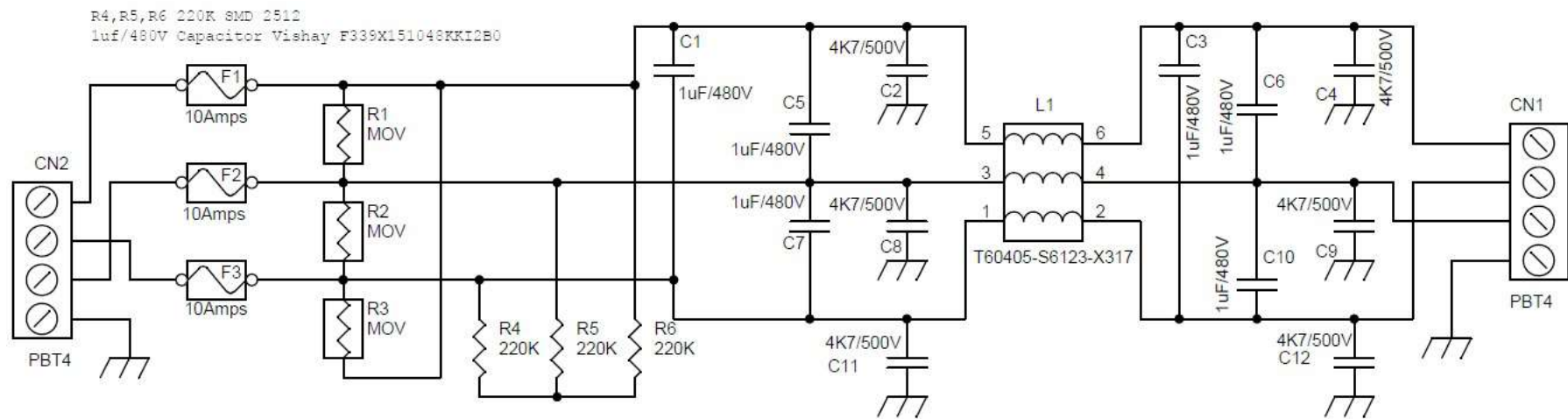
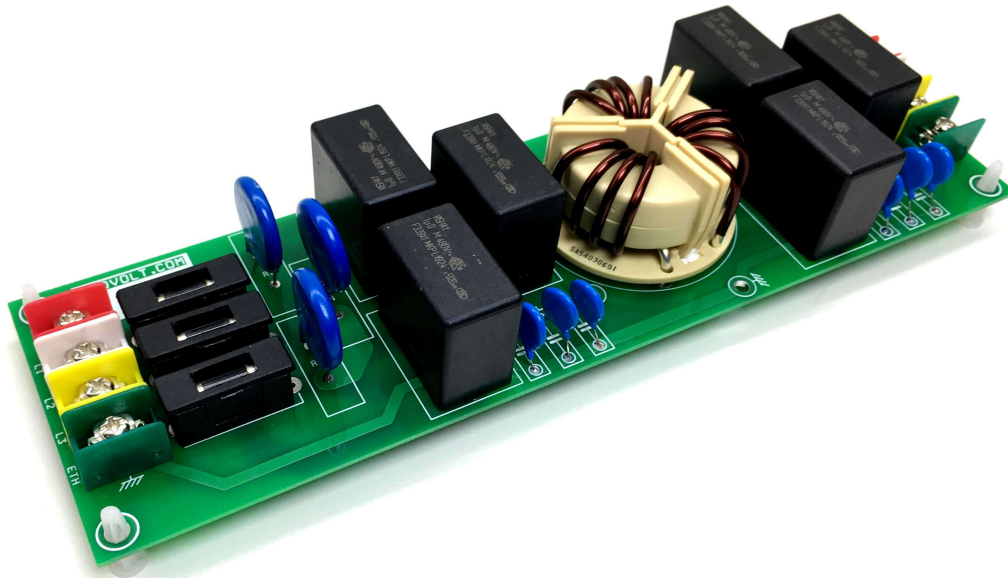
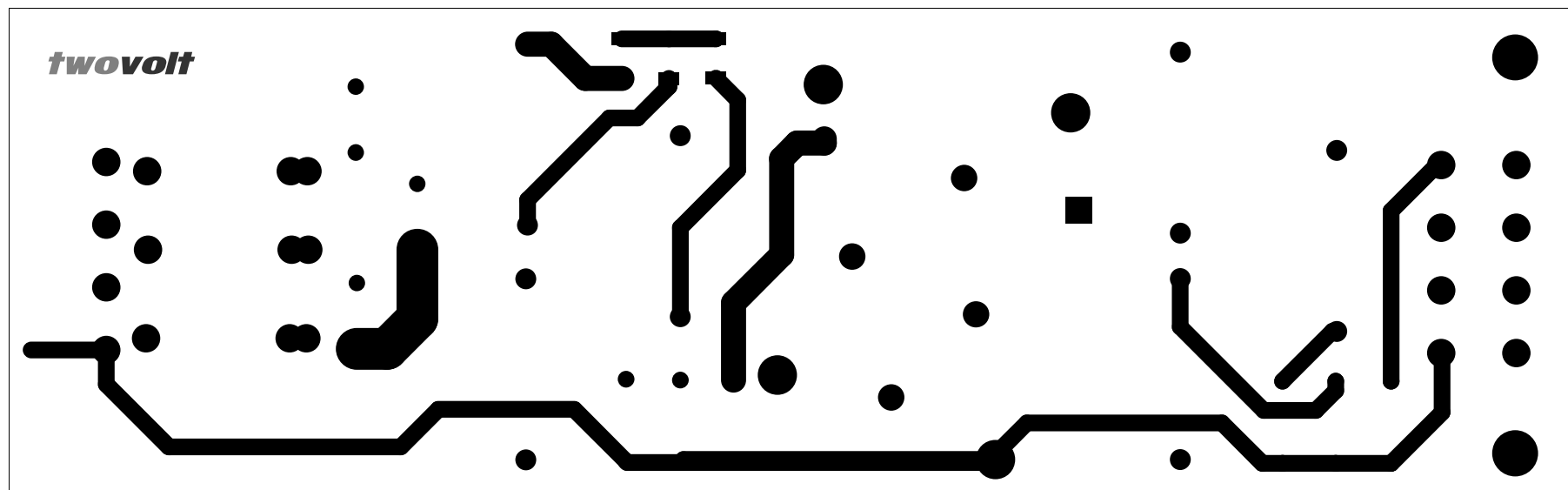
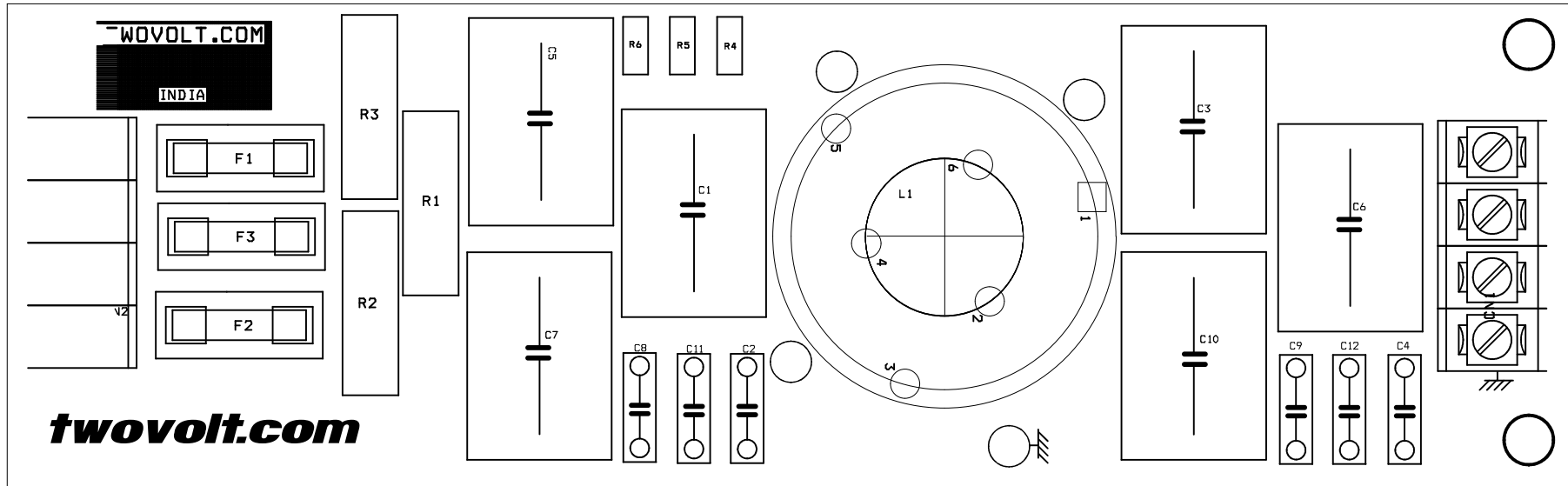
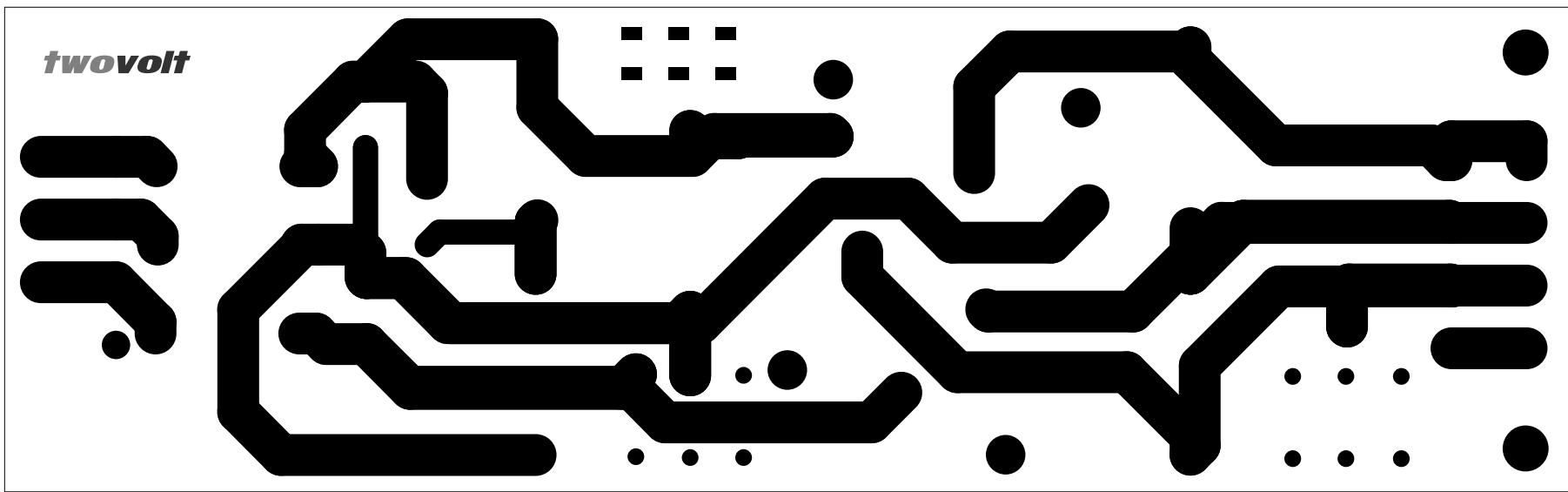


3 Phase EMI/EMC Filter Circuit For VFD Drive, EV Chargers, AC Servo Drivers, Industrial Automation







0 7 0 5