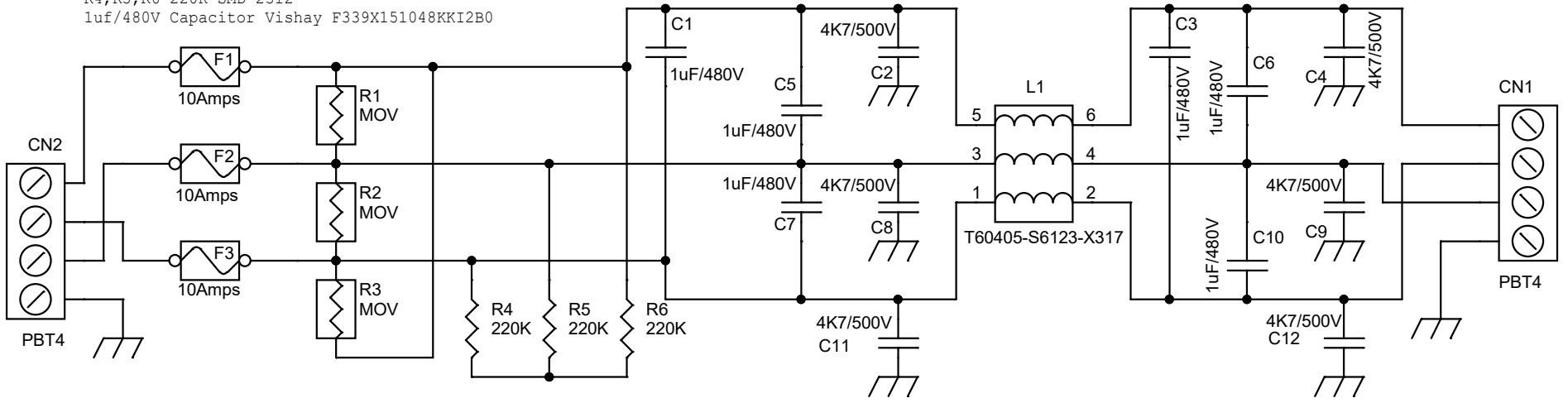


R4,R5,R6 220K SMD 2512
1uF/480V Capacitor Vishay F339X151048KKI2B0



5

4

3

2

1